

Grooved Butterfly Valve Gear Operated, 300PSI



Specifications

Vulcanized disc design for bubble-tight shutoff at 300 psi with position indicator
 Low torque operation, high cycle life with built-in supervisory switch
 Top Flange to ISO 5211/1
 Groove Ends to AWWA C606 Standard or Metric Dimensions
 UL Listed
 FM Approved for size 2"-4"

Working Pressure

300PSI
 200PSI AND 250PSI available on request

Working Temperature

-10 C to 82 C

Corrosion Protection

Fusion Bonded Epoxy Coated Interior and Exterior to AWWA C550 Standard.

Note

Design and material are subject to change without notice

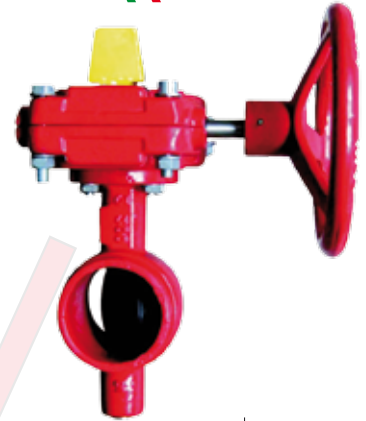
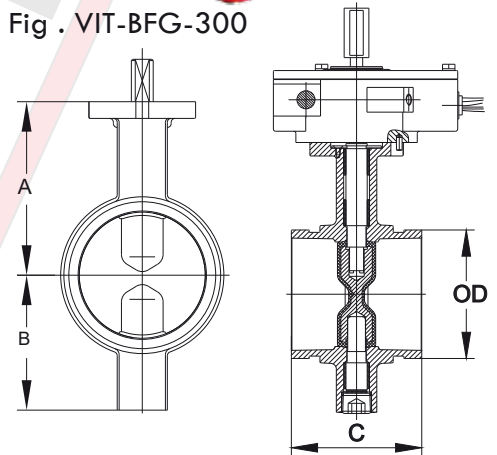


Fig . VIT-BFG-300



Material Specification

No	Component	Material	Spec
1	Body	Ductile Iron	A536 65-45-12
2	Disc	Ductile Iron EPDM Coated	A536 65-45-12
3	Shaft	Stainless Steel	AISI 410
4	Gearbox Housing	Cast Iron	A126 Class B
5	Flag Indicator	Cast Iron	A126 Class B
6	Gasket	EPDM Grade E	
7	O Rings	EPDM Grade E	
8	Handwheel	Ductile Iron	A536 65-45-12-B

Dimensions (mm/inch)

Nominal size D mm/Inch	Dimensions			
	A	B	C	OD
65 2.5"	96 3.78	75 2.95	98 3.86	73.0/76.1 2.87/3
80 3"	105 4.13	90 3.54	98 3.86	88.9 3.50
100 4"	135 4.71	110 4.33	116 4.57	114.3 4.50
125 5"	148 5.83	127 5.00	149 5.87	139.7/141.3 5.5/5.56
150 6"	165 6.50	145 5.71	149 5.87	165.1/168.3 6.5/6.63
200 8"	204 8.03	175 6.89	134 5.28	219.1 8.63
250 10"	245 9.65	210 8.27	160 6.30	273 10.75
300 12"	277.5 10.93	258 10.16	165 6.50	323.85 12.75