

valveIT Butterfly Valve, LugType

Features

- DN50 - DN150 : Cast Iron Material, Lever Operated
- DN200 - DN600 : Ductile Iron Material, Gear Operated
- PN 16, Fully Lugged
- EPDM Lined, Ductile Iron + Nickel Plated Disc
- Pinless Design upto DN 300
- Replaceable Liner
- Confirms to BS 5155 (EN593)
- Suitable for installing between PN16 flanges

Application

HVAC System, Cold and Hot Water

Hydrostatic Test Pressure

Body : 24 bar
Seat : 17.6 bar

Pressure / Temperature Rating

16 bar at 110 deg C
With EPDM liner the maximum allowable short term temperature is 120 deg C

Coating

Internal and External coated with fusion bonded epoxy coating RAL 5002 (blue)
Coating Thickness (DFT) - 200 Microns (min)

Type of Actuator - Options

Lever, Gear box, Electric, Pneumatic

Face to Face / Design according to

DIN 3202 (EN 558), ISO 5752 Series 20

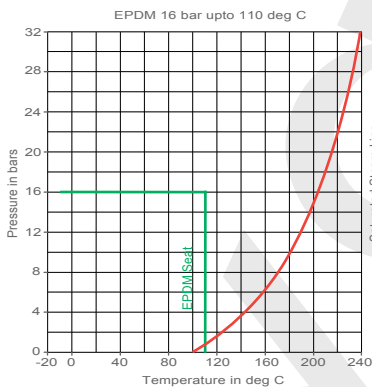
Connection

ISO 5211 / DIN 2632 (EN 1092) or BS 4504 PN 10 / 16 (EN 1092)

*On Request (Forward Delivery)

- Available with Stainless Steel or Aluminium Bronze Disc (VIT - 16 - BCL - AB)
- PN25 rating available
- Available with NBR Seat
- Available with ANSI CL 150 Drilling
- *Subject to minimum order quantity

Pressure Vs Temperature Graph

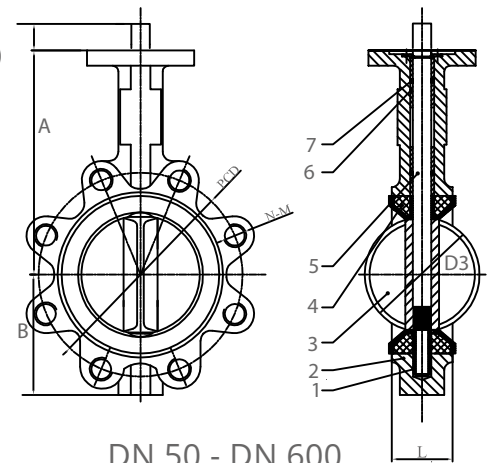


Material Specification

No	Component	Material	DIN
1	Bushing	PTFE	PTFE
2	Body (DN50-DN150)	Cast Iron GG 25	1691GG25
3	Body (DN200-DN300)	Ductile Iron GGG40	1693GGG40
4	Disc	Ductile Iron GGG40 + NP	G-CuAl11Fe4
5	Seat	EPDM	-
6	Shaft	Stainless Steel	X10Cr13
7	Bushing	PTFE	PTFE
8	O-Ring	NBR	-

Dimensions & Weights

DN	mm	50	65	80	100	125	150	200	250	300	350	400	450	500	600
	inch	2	2-1/2	3	4	5	6	8	10	12	14	16	18	20	24
B		71.4	76.2	98.6	118.7	129.4	142	176	208.8	248.5	302	354	385	438	464
A		149	150.4	156.5	168	186.5	205.7	230.6	269.9	327.8	368	400	422	480	562
L		42	44.5	44.5	51	54.5	54.5	59.6	67	75.5	75.5	102	114	130	151
Torque (Nm)		15.1	17.2	23.1	39.8	61.9	102	192	323	490	625	846	1131	1431	2301
Weight (Kg)		4.3	4.7	5.3	8.1	11.0	11.6	27.8	35	50.6	58.4	120	148	215	295
Kv value (m3/hr)		189	311	433	745	1219	1805	3093	4825	6946	10211	14043	18598	23914	36946



DN 50 - DN 600