

valveIT Brass Bib Cock

Features

PN 10
 Ball Type
 Threaded Ends to ISO 228 / 1

Hydrostatic Test Pressure

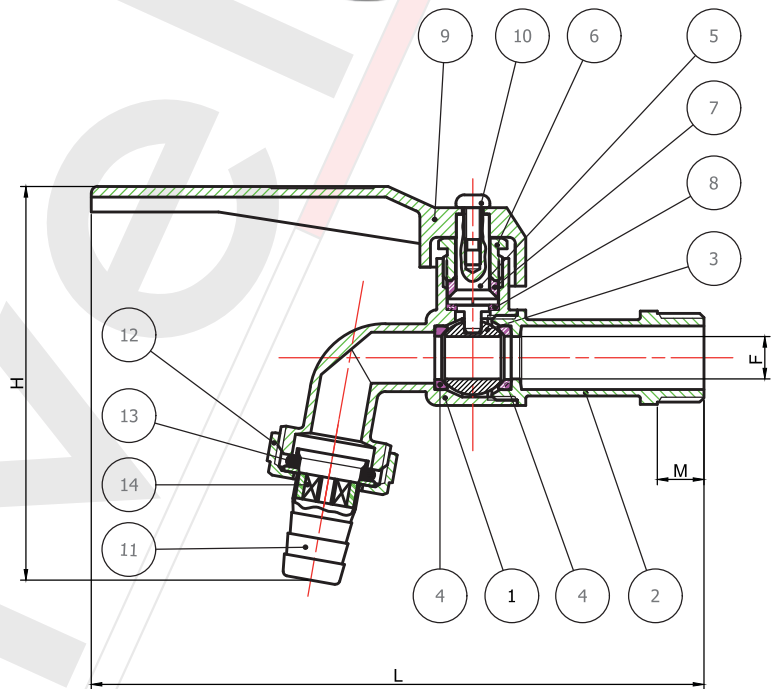
Body : 15 bar
 Seat : 11 bar

Pressure

Nominal : 10 bar

Temperature

Minimum : -10 deg C
 Maximum : 100 deg C



Material Specification

No	Component	Material
1	Body	Brass: CW 617 N - UNI - EN 12165
2	Ball, stem and gland	Brass: CW 614 N - UNI - EN 12164
3	Seat	Pure P.T.F.E.
4	Stem packing and antifriction ring	Pure P.T.F.E.
5	Operating lever	Aluminium with red plastic coating finishing
6	Finishing	Sandblasted chromed

Dimensions

Nominal size	Dimensions				Weight	PN at max 100°C
	D [inches]	L [mm]	H [mm]	M [mm]		
1/2"	145	92	11	10	196,00	10
3/4"	154	103	14	12	306,00	10
1"	170	118	15	14		10