

U - Type Butterfly Valves Double Flanged

Features

Ductile Iron Material
 PN 16
 EPDM Lined Stainless Steel / Ductile Iron Disc + Nickel Plated
 Gear Operated

Valve Standard

Comply with ISO 5752 / BS 5155 / BS EN 593 / MSS SP-67
 Face - to - Face as per ISO 5752 ser 20

Application

HVAC System, Cold and Hot Water

Hydrostatic Test Pressure

Body : 24 bar
 Seat : 17.6 bar

Pressure / Temperature Rating

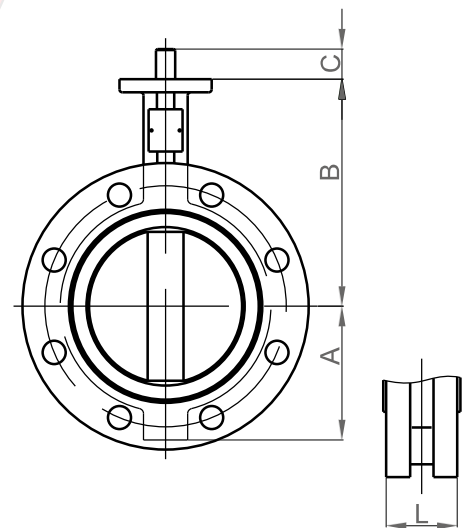
16 bar at 120 deg C
 With EPDM liner the maximum allowable short term temperature is 120 deg C
 -10 to 80 deg C NBR Seat

Coating

Internal and External coated with fusion bonded epoxy coating RAL 5002 (blue)
 Coating Thickness (DFT) - 200 Microns (min)

*On Request (Forward Delivery)

Available in larger sizes



Material Specification

No	Component	Material	Optional
1	Body	Ductile Iron	EN - JS 1050
2	Disc	Ductile Iron / Stainless Steel 304 / 316	EN-JS 1050 / BS970 304 C 15, BS970 304 C 16
3	Shaft	Stainless Steel 410/ 431	BS970 304 C 21, BS970 304 C 29
4	Seat Ring	EPDM / NBR	
5	O - Ring	EPDM / NBR	
6	Bushing	Bronze	EN 1982 CC491K

Dimensions & Weights

DN	mm	150	200	250	300	350	400	450	500	600
	inch	6	8	10	12	14	16	18	20	24
A		133	175	201	242	267	316	344	380	468
B		226	260	292	337	368	400	422	480	562
C		30	34	34	34	40	52	52	64	70
L		55	60	67	76	76	102	114	127	151