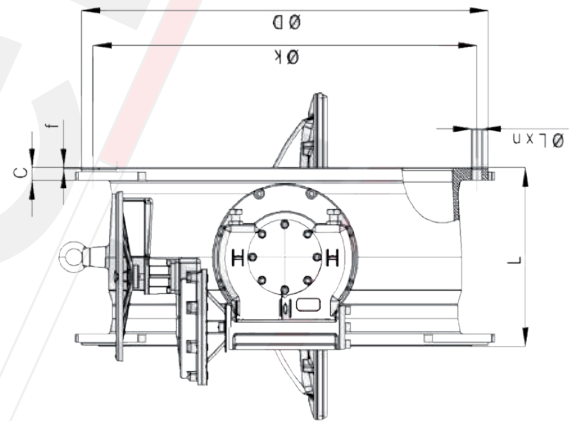
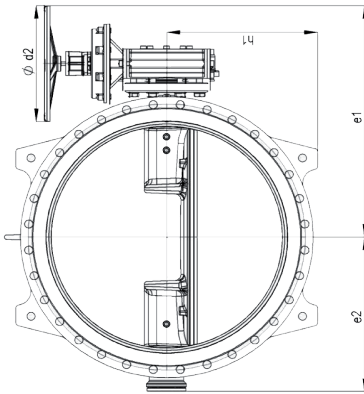


valveIT Double eccentric double flanged butterfly valve

Features

- PN 10 / PN 16/ PN 25/ PN 40
- Body: GGG 40-50
- Size: DN 150 – DN 3000
- Body Test Pressure: PNx1.5 bars
- Disc Test Pressure: PNx1.5 bars
- Top Flange: ISO 5211
- Face to Face: EN 558-1/14
- Test Standard: EN 12266-1
- Flange Standard: EN 1092-2
- Operation: Gear Box with Hand Wheel- IP 67



Material Specification

No	Component	Material
1	Body	GGG 40-50
2	Body Seat	Stainless Steel with Welding
3	Disc	GGG 40-50
4	Disc Seat	EPDM
5	Retaining Ring	St-37, AISI 304, AISI 316
6	Internal Bolt	A2 Stainless steel
7	Front - Back Bushing	Bronze
8	O-ring	EPDM
9	External Bolt	8.8 Electro Galvanized
10	Front Shaft	1.4021, 1.4057, 1.4462
11	Pin	1.4021, 1.4057
12	Back Shaft	1.4021, 1.4057, 1.4462
13	Front Cover	St 37, GGG 40
14	Setscrew	8.8
15	Bolt	8.8
16	Back Cover	St 37, GGG 40
17	Eye Bolt	A 105
18	Key	C 45 K
19	Bearing	Bronze
20	Segment	A2
21	Washer	A2

PN 10												PN 16											
DN	PN	ØD	L <sub>S14</sub>	e1	e2	d2	h1	f	C	ØkxnxØL	Weight	DN	PN	ØD	L <sub>S14</sub>	e1	e2	d2	h1	f	C	ØkxnxØL	Weight
mm	bar	mm	mm	mm	mm	mm	mm	mm	mm	mm - nx mm	kg	mm	bar	mm	mm	mm	mm	mm	mm	mm	mm	mm-nx mm	kg
150	10	285	210	345	142	260	160	3	19	Ø240X8XØ23	37.0	150	16	285	210	345	142	260	160	3	19	Ø240X8XØ23	37.0
200	10	340	230	388	175	260	190	3	20	Ø295X8XØ23	60.0	200	16	340	230	388	175	260	190	3	20	Ø295X12XØ23	60.0
250	10	395	250	406	201	260	220	3	22	Ø350X12XØ23	74.5	250	16	405	250	406	201	260	220	3	22	Ø355X12XØ28	74.5
300	10	445	270	448	235	260	250	4	24.5	Ø400X12XØ23	90.0	300	16	460	270	448	235	260	250	4	24.5	Ø410X12XØ28	90.0
350	10	505	290	567	260	400	280	4	24.5	Ø460X16XØ23	155.0	350	16	520	290	567	260	400	280	4	26.5	Ø470X16XØ28	155.0
400	10	565	310	600	302	400	310	4	24.5	Ø515X16XØ23	165.0	400	16	580	310	600	302	400	310	4	58	Ø525X16XØ31	184.0
450	10	615	330	610	330	400	330	4	25.5	Ø565X20XØ28	261.0	450	16	640	330	610	330	400	330	4	30	Ø585X20XØ31	296.0
500	10	670	350	665	372	400	360	4	26.5	Ø620X20XØ28	237.0	500	16	715	350	665	372	400	360	4	31.5	Ø650X20XØ34	280.0
600	10	780	390	735	425	400	440	5	30	Ø725X20XØ31	345.0	600	16	840	390	735	425	400	440	5	36	Ø770X20XØ37	383.0
700	10	895	430	872	458	600	465	5	32.5	Ø840X24XØ31	546.0	700	16	910	430	872	458	600	465	5	39.5	Ø840X24XØ37	560.0
800	10	1015	470	954	520	600	540	5	35	Ø950X24XØ34	690.0	800	16	1025	470	954	520	600	540	5	43	Ø950X24XØ41	700.0
900	10	1115	510	1004	600	600	570	5	37.5	Ø1050X28XØ34	1040.0	900	16	1125	510	1004	600	600	570	5	46.5	Ø1050X28XØ41	1056.0
1000	10	1230	550	1024	625	600	676	5	40	Ø1160X28XØ37	1522.0	1000	16	1255	550	1024	625	600	676	5	50	Ø1170X28XØ44	1550.0
1100	10	1340	550	1157	765	600	680	5	42.5	Ø1270X32XØ37	1794.0	1100	16	1355	550	1157	765	600	680	5	53.5	Ø1270X32XØ44	1920.0
1200	10	1455	630	1250	800	600	735	5	45	Ø1380X32XØ41	2171.0	1200	16	1485	630	1250	800	600	735	5	57	Ø1390X32XØ50	2255.0
1300	10	1585	630	1332	881	600	810	5	59	Ø1490X32XØ42	2550.0	1300	16	1585	630	1332	881	600	810	5	59	Ø1490X32XØ50	2550.0
1400	10	1675	710	1362	910	600	878	5	46	Ø1590X36XØ44	3222.0	1400	16	1685	710	1362	910	600	878	5	60	Ø1590X36XØ50	3290.0
1500	10	1785	710	1364	937	600	900	5	47	Ø1700X36XØ44	3450.0	1500	16	1820	710	1485	1060	600	940	5	62.5	Ø1710X36XØ57	3530.0
1600	10	1915	790	1510	1075	600	976	5	49	Ø1820X40XØ50	3740.0	1600	16	1930	790	1510	1075	600	976	5	65	Ø1820X40XØ57	4360.0
1700	10	2020	790	1510	1075	600	1030	5	52	Ø1920X40XØ50	4275.0	1700	16	-	790	-	-	600	-	5	-	-	-
1800	10	2115	870	1370	1260	600	1058	5	52	Ø2020X44XØ50	4821.0	1800	16	2130	870	1370	1260	600	1058	5	70	Ø2020X44XØ57	4942.5
2000	10	2325	950	1780	1385	600	1200	6	55	Ø2230X48XØ50	7500.0	2000	16	2345	950	1835	1414	600	1200	5	75	Ø2230X48XØ62	7850.0
2200	10	2555	950	1920	1560	600	1310	6	58	Ø2440X52XØ57	9925.0	2200	16	2555	950	1920	1560	600	1310	5	80	Ø2440X52XØ62	12000.0
2400	10	2760	950	1920	1481	-	1379	6	65	Ø2650X56XØ56	13300.0	2400	16	2770	950	2750	1875	-	1400	6	80	Ø2660X56XØ62	15500.0
2500	10	2860	950	2018	1575	-	1444	6	65	Ø2750X56XØ56	14000.0	2500	16	2880	950	2780	1575	-	1460	6	80	Ø2760X56XØ62	18000.0
2600	10	2960	950	2150	1630	-	1550	6	70	Ø2850X60XØ56	16000.0	2600	16	3000	950	2845	1630	-	1536	6	90	Ø2890X60XØ70	19500.0
2800	10	3180	950	2250	1808	-	1600	6	70	Ø3070X64XØ56	20000.0	2800	16	3240	950	2870	1848	-	1580	6	95	Ø3170X64XØ70	23500.0
3000	10	3405	950	-	1855	-	1810	8	75	Ø3290X68XØ62	25000.0	3000	16	-	950	-	1855	-	-	8	-	-	29000.0