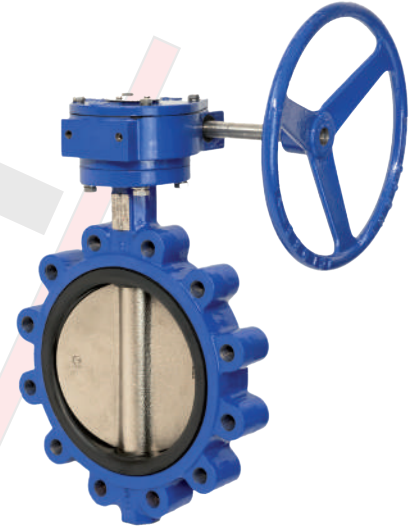


valveIT Ductile Iron Butterfly Valve, Lug Type

Features

- DN50 - DN600 : Ductile Iron Material
- PN 16, Fully Lugged
- EPDM Lined Stainless Steel Disc (VIT - 25 - BDLS) / Ductile Iron Disc (VIT - 25 - BDL)
- Pinless Design upto DN 300
- Replaceable Liner
- Confirms to BS 5155 (EN593)
- Suitable for installing between PN16 flanges
- UPTO DN150 - Lever Operated
- DN 200 & Above - Gear Operated



Application

HVAC System, Cold and Hot Water

Hydrostatic Test Pressure

Body : 24 bar
Seat : 17.6 bar

Pressure / Temperature Rating

16 bar at 110 deg C
With EPDM liner the maximum allowable short term temperature is 120 deg C

Coating

Internal and External coated with fusion bonded epoxy coating RAL 5002 (blue)
Coating Thickness (DFT) - 200 Microns (min)

Type of Actuator - Options

Lever, Gear box, Electric

Face to Face / Design according to

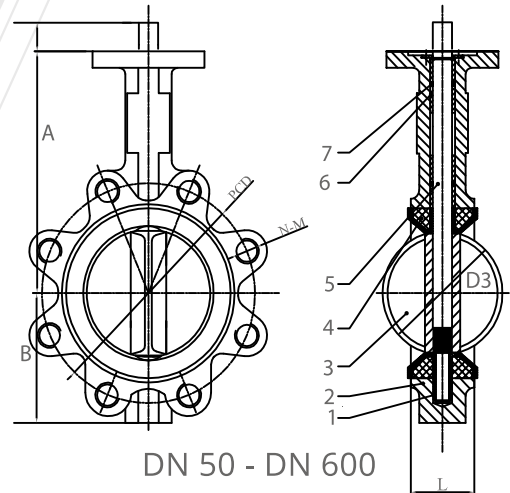
DIN 3202 (EN 558), ISO 5752 Series 20

Connection

ISO 5211 / DIN 2634 (EN 1092) or BS 4504 PN 25 (EN 1092)

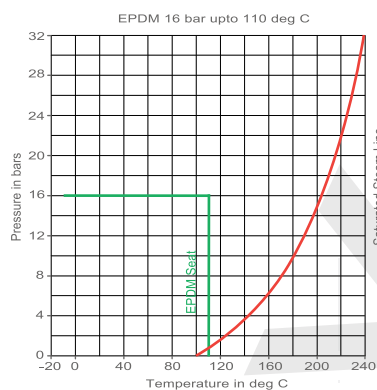
*On Request (Forward Delivery)

Available with Stainless Steel or Ductile Iron (Nickel plated) Disc
Larger sizes available / PN 25 rated available
Available in Wafer Type
*Subject to minimum order quantity



DN 50 - DN 600

Pressure Vs Temperature Graph



Material Specification

No	Component	Material
1	Body	Ductile Iron GGG40
2	Bushing	PTFE / Bronze
3	Seat	EPDM
4	Shaft	Stainless Steel
5	Disc	Stainless Steel / Ductile Iron Disc + NP
6	Bushing	PTFE / Bronze
7	O-Ring	NBR

Dimensions & Weights

DN	mm	50	65	80	100	125	150	200	250	300	350	400	450	500	600
	inch	2	2-1/2	3	4	5	6	8	10	12	14	16	18	20	24
B		71.4	76.2	98.6	118.7	129.4	142	176	208.8	248.5	302	354	385	438	464
A		149	150.4	156.5	168	186.5	205.7	230.6	269.9	327.8	368	400	422	480	562
L		42	44.5	44.5	51	54.5	54.5	59.6	67	75.5	75.5	102	114	130	151