

valveIT Brass Ball Valve

Features

- PN 25 / 32
- Forged Brass Body, Nickel + Chrome Plated body
- Chrome Plated Brass Ball
- Full Bore, Two Piece Body
- PTFE Seat
- ISO 228 / 1 Threaded Ends

Application

HVAC System, Air, Cold and Hot Water

Hydrostatic Test Pressure

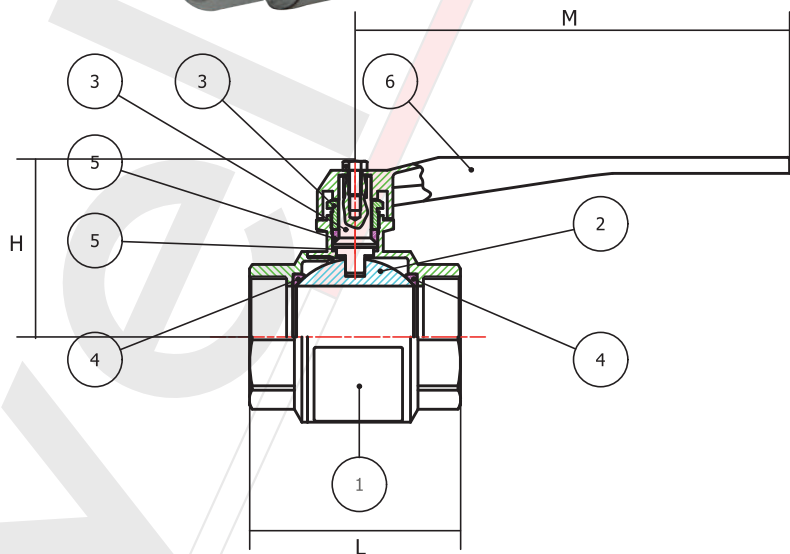
15mm-25mm	32-50mm
Body : 48 bar	37.5 bar
Seat : 35.2 bar	27.5 bar

*On Request (Forward Delivery)

- Available with NPT Threads
- Available in MSS - SP Standard
- Available in PN 20 rating (Light Duty)
- *Subject to minimum order quantity

Pressure / Temperature Rating

- Temp. Operating Range: -10 to 100 C
- Pressure Rating: PN25-32 for sizes till 2"
- PN16 for sizes 2 1/2, 3 & 4"



Material Specification

No	Component	Material
1	Body	Brass CW617N - UNI - EN 12165
2	Ball (1/2")	Brass CW614N - UNI - EN 12164
	Ball (3/4" to 1")	Brass CW617N - UNI-EN 12165
	Ball (1" 1/4 to 4")	Brass: DELTA CS UNI-EN1982 CB 7535
3	Stem and gland	Brass CW614N - UNI-EN 12164
4	Seat	Pure P.T.F.E.
5	Stem packing and antifriction ring	Pure P.T.F.E.
6	Operating lever	Aluminium with red plastic coating finishing
7	Finishing	Sandblasted chromed

Dimensions & Weights

Nominal size D [inches]	Dimensions			Weight Gr	Kv Value	PN at max 100°C
	L [mm]	H [mm]	M [mm]			
1/2"	55	45	90	200,00	15,5	32
3/4"	58	48	90	278,00	31,7	32
1"	68	59	115	456,00	58,5	32
1"1/4	83	65	115	680,00	96	25
1"1/2	89	80	145	985,00	160	25
2"	105	93	180	1.550,00	269	25
2 1/2"	131	110	270	-	395	16
3"	155	120	270	-	535	16
4"	195	155	320	-	900	16