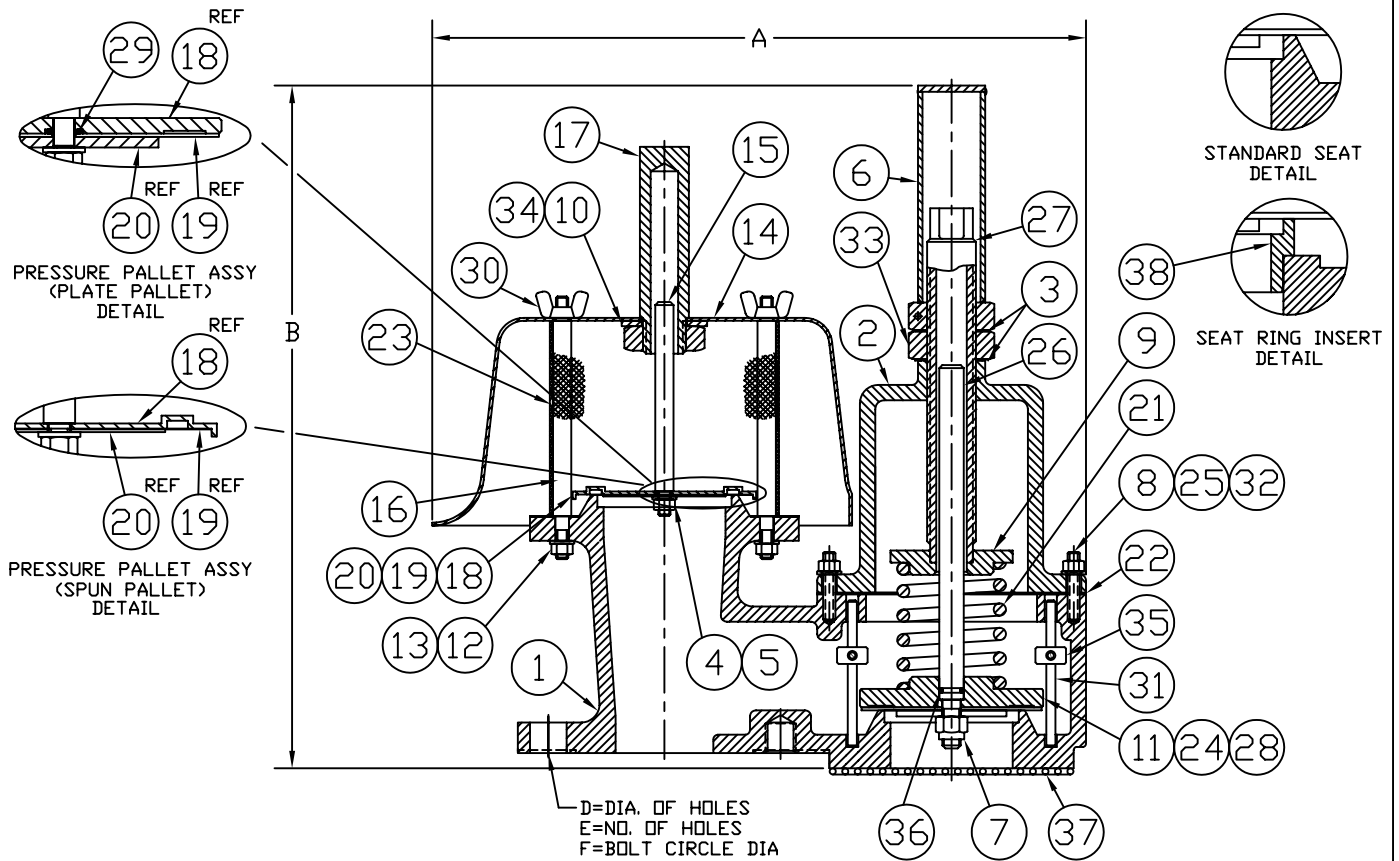


MODEL 1202B  
PRESSURE/VACUUM RELIEF VENT  
SPRING LOADED



SIZE	FLANGE DRILLING	A	B	C	D	E	F
2'	150#	13.38	14.00	9.50	.75	4	4.75
3'	150#	17.75	16.25	11.50	.75	4	6.00
4'	150#	19.50	19.88	13.00	.75	8	7.50
6'	150#						
8'	150#						
10'	150#						
12'	150#						

NOTE: C DIM. (NOT SHOWN) IS MAX. WIDTH.

TAGS AND SPECIFICATIONS



GROTH CORPORATION  
HOUSTON, TEXAS

CERTIFIED

DWG. NO. C-83845

REVISION: 6

DATE: 12-29-95

ITEM NAME	MATL	SPEC
1 BODY	ALUM	ASTM B26 GR 356
2 SPRING CHAMBER	ALUM	ASTM B26 GR 356
3 GASKET-CAP	SS	ASTM A240
4 HEX NUT	316 SS	
5 LOCK WASHER	316 SS	
6 CAP	CS	ASTM A519/A575
7 HEX LOCK NUT	316 SS	
8 STUD	CD PL CS	
9 SPRING BUTTON	CD PL CS	ASTM A575/A108
10 SPACER	CS	ASTM A36
11 PALLET-VACUUM	316 SS	ASTM A276
12 LOCK WASHER	CD PL CS	
13 HEX NUT	CD PL CS	
14 WEATHERHOOD	ALUM	3003 H146
15 STEM-PRESSURE	316 SS	ASTM A276
16 GUIDE POST-PRESSURE	316 SS	ASTM A276
17 STEM GUIDE	CS	ASTM A519/A575
18 PALLET-PRESSURE	316 SS	ASTM A240
19 DIAPHRAGM-PRESSURE	TEFLON	FEP
20 RETAINER PLATE -PRES	316 SS	ASTM A240
21 SPRING	CS/TCTYL	ASTM A125
22 GASKET	NON-ASB	
23 SCREEN	PVC	
24 DIAPHRAGM-VACUUM	TEFLON	FEP
25 LOCK WASHER	CD PL CS	
26 STEM-VACUUM	316 SS	ASTM A276
27 ADJUSTMENT SCREW	316 SS	ASTM A511
28 RETAINER PLATE-VAC	316 SS	ASTM A240
29 O-RING(PLATE PALLET)	VITON	70 DUROMETER
30 WING NUT	CD PL CS	
31 GUIDE POST-VACUUM	316 SS	ASTM A276
32 HEX NUT	CD PL CS	
33 JAM NUT	CD PL CS	
34 JAM NUT	CD PL CS	
35 STOP COLLAR	SS	
36 O-RING	VITON	70 DUROMETER
37 SCREEN (OPTIONAL)	SS	
38 SEAT RING	NOT USED	

DWG NUMBER: C83845  
BOM NUMBER: 83845000 REV 1

MATERIAL: ALUMINUM  
MODEL: 1202A