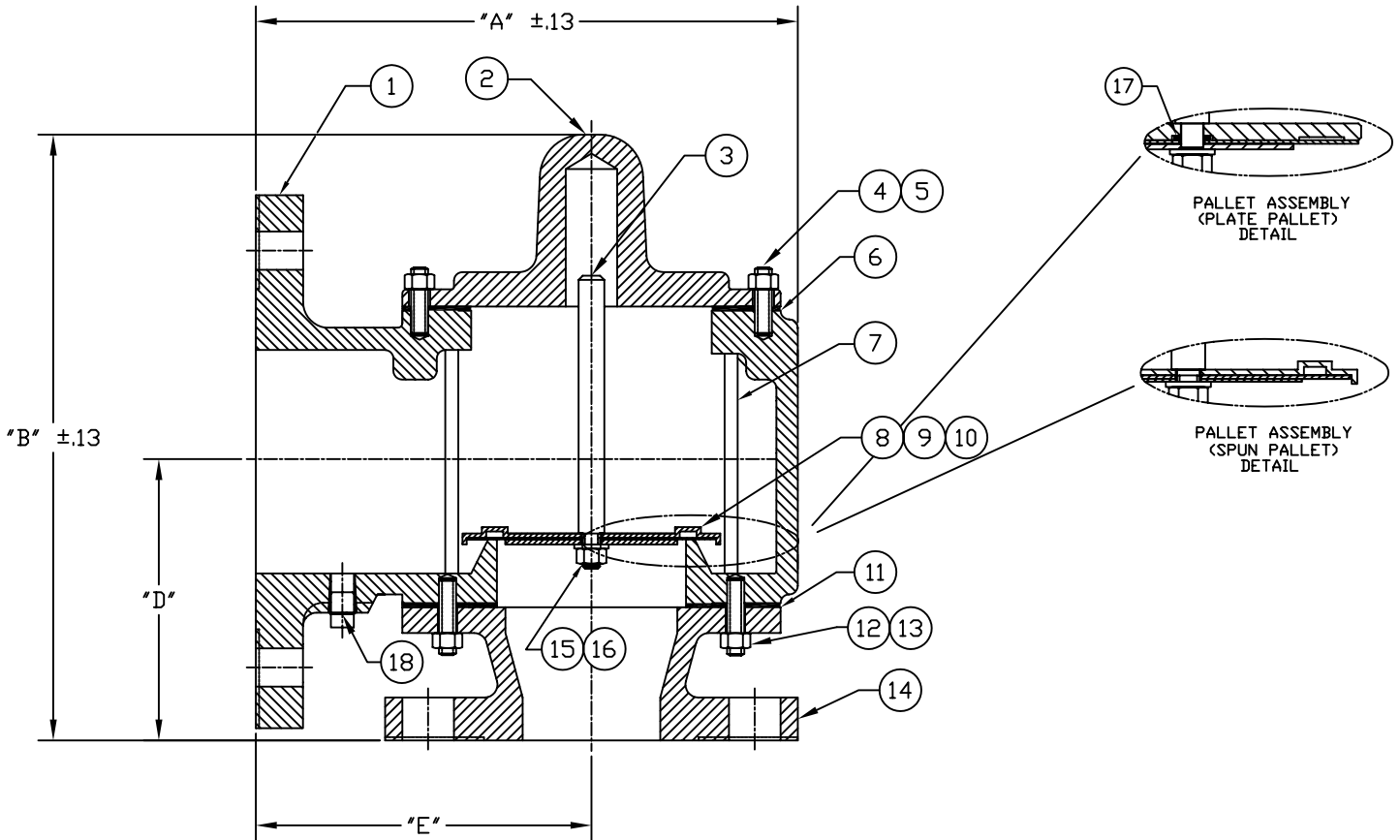


MODEL 1260A  
PRESSURE RELIEF VENT  
WEIGHT LOADED



- NOTES:**  
 1. "C" DIMENSION (NOT SHOWN) IS MAX. WIDTH.  
 2. SEE DWG C-92526 FOR ANSI, PN10/PN16 & JIS10K DRILLING PATTERNS.

SIZE	A		B		C		D		E	
	in	mm	in	mm	in	mm	in	mm	in	mm
2"x3"	8.63	219	9.38	238	7.50	191	4.13	104	5.50	140
3"x4"	10.00	254	11.13	282	9.00	229	5.00	127	6.00	152
4"x6"	11.00	279	13.88	352	11.00	279	6.50	165	6.50	165
6"x8"	14.50	368	17.38	441	13.50	343	8.50	216	8.50	216
8"x10"	18.00	457	21.25	539	16.00	406	9.75	248	10.75	273
10"x12"	20.75	527	23.63	600	19.00	483	10.25	260	12.50	318
12"x14"	24.75	629	26.63	676	21.00	533	11.00	279	15.00	381

TAGS AND SPECIFICATIONS

THIS DRAWING EMBODIES A CONFIDENTIAL PROPRIETARY DESIGN ORIGINATED BY GROTH CORPORATION, AND ALL DESIGN, MANUFACTURING, REPRODUCTION, USE AND SALE RIGHTS, REGARDING THE SAME ARE EXPRESSLY RESERVED. IT IS SUBMITTED UNDER A CONFIDENTIAL RELATIONSHIP FOR A SPECIFIED PURPOSE, AND THE RECIPIENT AGREES BY ACCEPTING THIS DRAWING NOT TO SUPPLY OR DISCLOSE ANY INFORMATION REGARDING IT TO ANY UNAUTHORIZED PERSONS OR TO INCORPORATE IN OTHER PROJECTS ANY SPECIAL FEATURES PECULIAR TO THIS DESIGN. ALL PATENTS RIGHTS HERETO ARE EXPRESSLY RESERVED BY GROTH CORPORATION, 1202 HAHLO, HOUSTON, TEXAS 77020

REV.	DATE	BY	ECN NO.
A	06-09-94	ESQ	940089
N	10-10-94	ESQ	940147
P	08-22-01	ESQ	10276



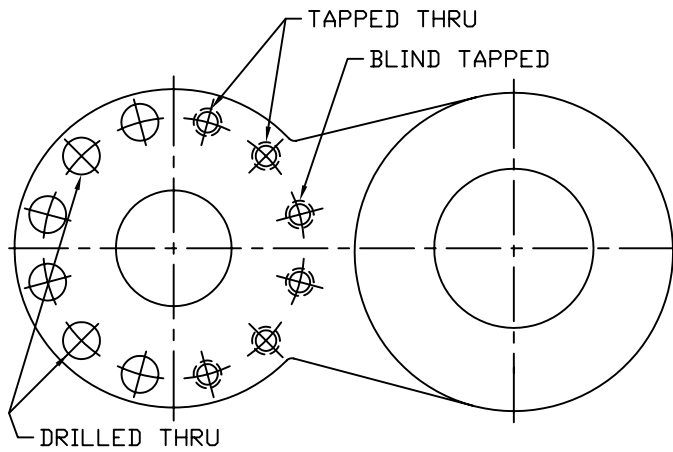
GROTH CORPORATION  
a Continental Disc Company

APPROVED BY:  
DATE:

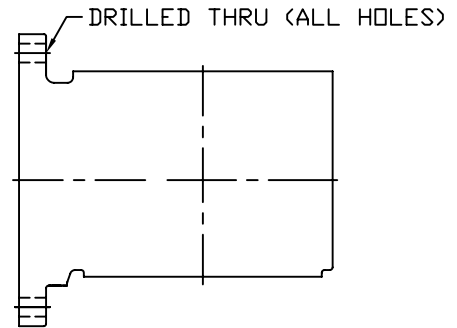
CHECKED BY:  
DATE:

DWG. NO. : C-84368  
DWN BY: ES QUINTERO

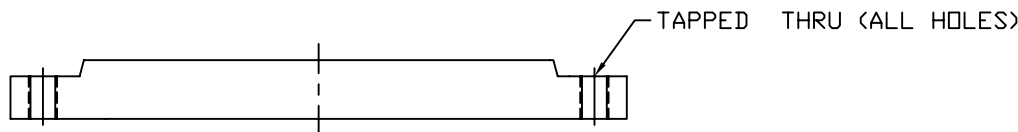
1200A SERIES  
FLANGE DRILLING DIMENSION TABLES  
(ANSI 150#, DIN PN10/16, JIS 10K)



INLET FLANGE  
(VIEWED FROM BOTTOM)  
MODELS: 1200A, 1220A, 1300A  
1201B, 1221B, 1301A



OUTLET FLANGE  
MODELS: 1220A, 1260A, 1360A  
1221B, 1261A, 1361A



BODY  
MODELS: 2300A & 2301A

DRILLED HOLES

SIZE	FLANGE DRILLING	HOLE DIA.		TAPPED HOLE	NO. OF HOLES	BOLT CIRCLE DIA.	
		in	mm			in	mm
2"	ANSI 150#	.75	19	5/8-11 UNC-2B	4	4.75	121
3"	ANSI 150#	.75	19	5/8-11 UNC-2B	4	6.00	152
4"	ANSI 150#	.75	19	5/8-11 UNC-2B	8	7.50	191
6"	ANSI 150#	.88	22	3/4-10 UNC-2B	8	9.50	241
8"	ANSI 150#	.88	22	3/4-10 UNC-2B	8	11.75	298
10"	ANSI 150#	1.00	25	7/8-9 UNC-2B	12	14.25	362
12"	ANSI 150#	1.00	25	7/8-9 UNC-2B	12	17.00	432
14"	ANSI 150#	1.13	29	1 -12 UNC-2B	12	18.75	476

SIZE	FLANGE DRILLING	HOLE DIA.		TAPPED HOLE	NO. OF HOLES	BOLT CIRCLE DIA.	
		in	mm			in	mm
2"	JIS 10K	.75	19	M16 x 2.0-6H	4	4.72	120
3"	JIS 10K	.75	19	M16 x 2.0-6H	8	5.91	150
4"	JIS 10K	.75	19	M16 x 2.0-6H	8	6.89	175
6"	JIS 10K	.91	23	M20 x 2.5-6H	8	9.45	240
8"	JIS 10K	.91	23	M20 x 2.5-6H	12	11.42	290
10"	JIS 10K	.98	25	M22 x 2.5-6H	12	13.98	355
12"	JIS 10K	.98	25	M22 x 2.5-6H	16	15.75	400
14"	JIS 10K	.98	25	M22 x 2.5-6H	16	17.52	445

SIZE	FLANGE DRILLING	HOLE DIA.		TAPPED HOLE	NO. OF HOLES	BOLT CIRCLE DIA.	
		in	mm			in	mm
2"	PN 10	.71	18	M16 x 2.0-6H	4	4.92	125
3"	PN 10	.71	18	M16 x 2.0-6H	8	6.30	160
4"	PN 10	.71	18	M16 x 2.0-6H	8	7.09	180
6"	PN 10	.87	22	M20 x 2.5-6H	8	9.45	240
8"	PN 10	.87	22	M20 x 2.5-6H	8	11.61	295
10"	PN 10	.87	22	M20 x 2.5-6H	12	13.78	350
12"	PN 10	.87	22	M20 x 2.5-6H	12	15.75	400
14"	PN 10	.87	22	M20 x 2.5-6H	16	18.11	460

SIZE	FLANGE DRILLING	HOLE DIA.		TAPPED HOLE	NO. OF HOLES	BOLT CIRCLE DIA.	
		in	mm			in	mm
2"	PN 16	.71	18	M16 x 2.0-6H	4	4.92	125
3"	PN 16	.71	18	M16 x 2.0-6H	8	6.30	160
4"	PN 16	.71	18	M16 x 2.0-6H	8	7.09	180
6"	PN 16	.87	22	M20 x 2.5-6H	8	9.45	240
8"	PN 16	.87	22	M20 x 2.5-6H	12	11.61	295
10"	PN 16	1.02	26	M24 x 3.0-6H	12	13.98	355
12"	PN 16	1.02	26	M24 x 3.0-6H	12	16.14	410
14"	PN 16	1.02	26	M24 x 3.0-6H	16	18.50	470

THIS DRAWING EMBODIES A CONFIDENTIAL PROPRIETARY DESIGN ORIGINATED BY GROTH CORPORATION, AND ALL DESIGN, MANUFACTURING, REPRODUCTION, USE AND SALE RIGHTS, REGARDING THE SAME ARE EXPRESSLY RESERVED. IT IS SUBMITTED UNDER A CONFIDENTIAL RELATIONSHIP FOR A SPECIFIED PURPOSE, AND THE RECIPIENT AGREES BY ACCEPTING THIS DRAWING NOT TO SUPPLY OR DISCLOSE ANY INFORMATION REGARDING IT TO ANY UNAUTHORIZED PERSONS OR TO INCORPORATE IN OTHER PROJECTS ANY SPECIAL FEATURES PECULIAR TO THIS DESIGN. ALL PATENTS RIGHTS HERETO ARE EXPRESSLY RESERVED BY GROTH CORPORATION, 1202 HAHLO, HOUSTON, TEXAS 77020

REV.	DATE	BY	ECN NO.
A	08-22-01	ESQ	10276



GROTH CORPORATION  
a Continental Disc Company

APPROVED BY:	CHECKED BY:	DWG. NO. : C-92526
DATE:	DATE:	DWN BY: ESQUINTERO

**MODEL 1260A**

**BILL OF MATERIAL**

ITEM	DESCRIPTION	STANDARD MATERIALS OF CONSTRUCTION (1)			OPTIONAL FEATURES (2)
		ALUMINUM <input type="checkbox"/>	CARBON STL <input type="checkbox"/>	316 SS <input type="checkbox"/>	
1	OUTLET	AL (GR 356 T6)	CS (WCB)	CF-8M (316 SS)	<input type="checkbox"/>
2	COVER	AL (GR 356 T6)	CS (WCB)	CF-8M (316 SS)	<input type="checkbox"/>
3	STEM	316 SS	316 SS	316 SS	<input type="checkbox"/>
4	STUD	SS	SS	SS	<input type="checkbox"/>
5	NUT, HEX	SS	SS	SS	<input type="checkbox"/>
6	* GASKET, COVER	NON-ASB	NON-ASB	NON-ASB	<input type="checkbox"/>
7	ROD, GUIDE	316 SS	316 SS	316 SS	<input type="checkbox"/>
8	PALLET, PRESSURE	316 SS	316 SS	316 SS	<input type="checkbox"/>
9	* DIAPHRAGM, PRESSURE (1)	Teflon® FEP	Teflon® FEP	Teflon® FEP	<input type="checkbox"/>
10	PLATE, RETAINER (PRESSURE)	316 SS	316 SS	316 SS	<input type="checkbox"/>
11	* GASKET, INLET	NON-ASB	NON-ASB	NON-ASB	<input type="checkbox"/>
12	STUD	SS	SS	SS	<input type="checkbox"/>
13	NUT, HEX	SS	SS	SS	<input type="checkbox"/>
14	INLET	AL (GR 356 T6)	CS (WCB)	CF-8M (316 SS)	<input type="checkbox"/>
15	WASHER, LOCK	SS	SS	SS	<input type="checkbox"/>
16	NUT, HEX	SS	SS	SS	<input type="checkbox"/>
17	* O-RING (PLATE PALLET) (2)	VITON	VITON	VITON	<input type="checkbox"/>
18	PLUG, PIPE	CS	CS	316 SS	<input type="checkbox"/>
19	INSERT, SEAT (3) (NOT SHOWN)	OPTIONAL	316 SS	NOT USED	<input type="checkbox"/>
20	PALLET WEIGHT (4) (NOT SHOWN)	LEAD	LEAD	LEAD	<input type="checkbox"/>

\* SPARE PARTS

- (1) Teflon® is a registered trademark of E.I. du Pont de Nemours and Co. used under license.
- (2) ELASTOMERS ALSO AVAILABLE IN AFLAS, BUNA-N, EPR & KALREZ
- (3) STANDARD -C.S. UNITS (WELDED); OPTIONAL - ALUM UNITS (BONDED)
- (4) AVAILABLE IN 316 SS; CONSULT FACTORY FOR ALT. MATERIALS.

DWG. NUMBER:  
BOM NUMBER:

C-84368  
84368bom.xls

REV. A



a Continental Disc Company