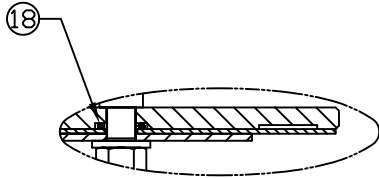
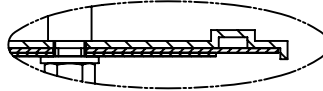


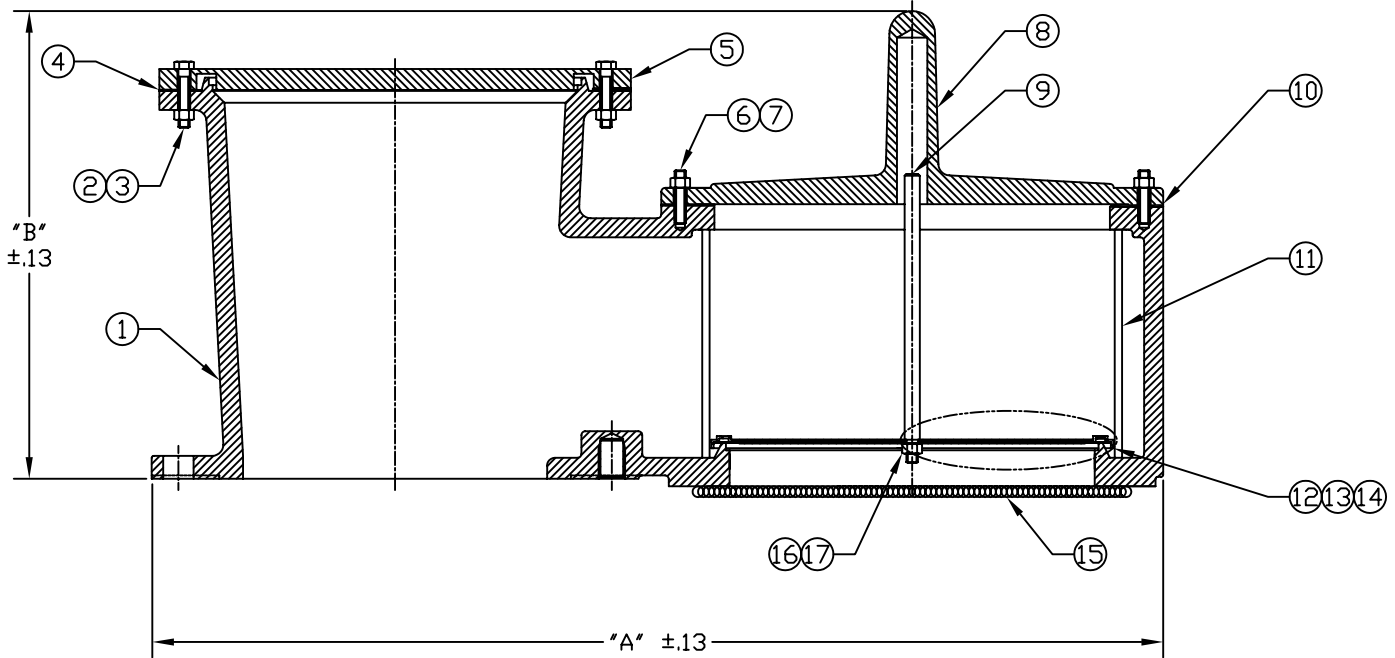
MODEL 1300A
VACUUM RELIEF VENT
WEIGHT LOADED



PALLET ASSEMBLY
(PLATE PALLET)
DETAIL



PALLET ASSEMBLY
(SPUN PALLET)
DETAIL



NOTES:

1. "C" DIMENSION (NOT SHOWN) IS MAX WIDTH.
2. SEE DWG C-92526 FOR ANSI, PN10 & JIS10K DRILLING PATTERNS.

SIZE	A		B		C	
	in	mm	in	mm	in	mm
2"	11.63	295	6.75	171	6.00	152
3"	15.63	397	7.75	197	7.75	197
4"	17.25	438	9.38	238	9.00	229
6"	23.50	597	12.00	305	12.00	305
8"	28.50	724	15.25	387	14.50	368
10"	33.00	838	18.00	457	16.50	419
12"	37.25	946	21.50	546	19.00	483

TAGS AND SPECIFICATIONS

THIS DRAWING EMBODIES A CONFIDENTIAL PROPRIETARY DESIGN ORIGINATED BY GROTH CORPORATION, AND ALL DESIGN, MANUFACTURING, REPRODUCTION, USE AND SALE RIGHTS, REGARDING THE SAME ARE EXPRESSLY RESERVED. IT IS SUBMITTED UNDER A CONFIDENTIAL RELATIONSHIP FOR A SPECIFIED PURPOSE, AND THE RECIPIENT AGREES BY ACCEPTING THIS DRAWING NOT TO SUPPLY OR DISCLOSE ANY INFORMATION REGARDING IT TO ANY UNAUTHORIZED PERSONS OR TO INCORPORATE IN OTHER PROJECTS ANY SPECIAL FEATURES PECULIAR TO THIS DESIGN. ALL PATENTS RIGHTS HERETO ARE EXPRESSLY RESERVED BY GROTH CORPORATION, 1202 HAHLO, HOUSTON, TEXAS 77020

REV.	DATE	BY	ECN NO.
A	08-22-01	ESQ	10276



GROTH CORPORATION
a Continental Disc Company

APPROVED BY:

CHECKED BY:

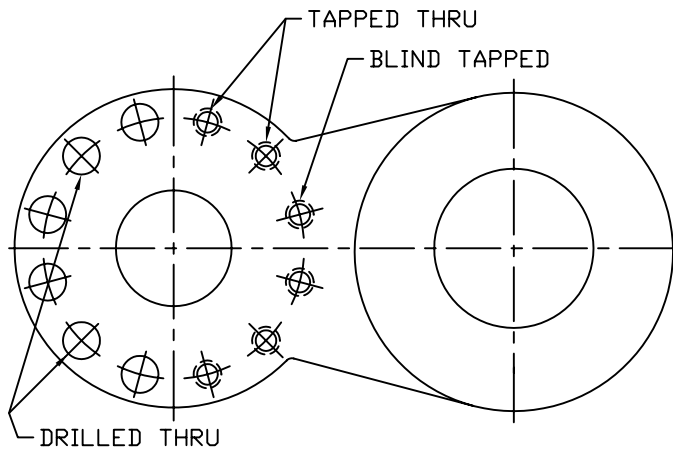
DWG. NO. : C-92717

DATE:

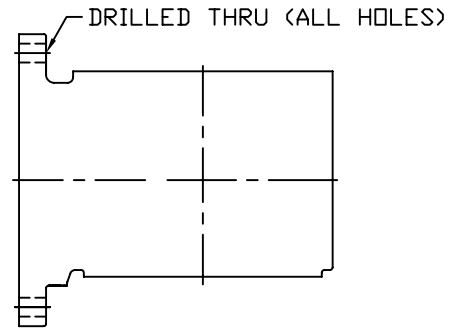
DATE:

DWN BY: ES QUINTERO

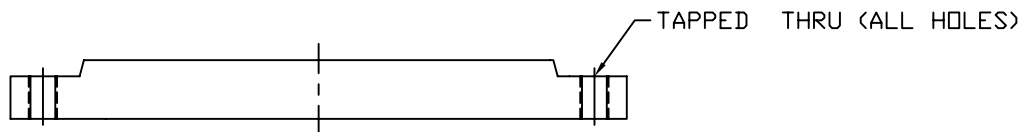
1200A SERIES
FLANGE DRILLING DIMENSION TABLES
(ANSI 150#, DIN PN10/16, JIS 10K)



INLET FLANGE
(VIEWED FROM BOTTOM)
MODELS: 1200A, 1220A, 1300A
1201B, 1221B, 1301A



OUTLET FLANGE
MODELS: 1220A, 1260A, 1360A
1221B, 1261A, 1361A



BODY
MODELS: 2300A & 2301A

DRILLED HOLES

SIZE	FLANGE DRILLING	HOLE DIA.		TAPPED HOLE	NO. OF HOLES	BOLT CIRCLE DIA.	
		in	mm			in	mm
2"	ANSI 150#	.75	19	5/8-11 UNC-2B	4	4.75	121
3"	ANSI 150#	.75	19	5/8-11 UNC-2B	4	6.00	152
4"	ANSI 150#	.75	19	5/8-11 UNC-2B	8	7.50	191
6"	ANSI 150#	.88	22	3/4-10 UNC-2B	8	9.50	241
8"	ANSI 150#	.88	22	3/4-10 UNC-2B	8	11.75	298
10"	ANSI 150#	1.00	25	7/8-9 UNC-2B	12	14.25	362
12"	ANSI 150#	1.00	25	7/8-9 UNC-2B	12	17.00	432
14"	ANSI 150#	1.13	29	1 -12 UNC-2B	12	18.75	476

SIZE	FLANGE DRILLING	HOLE DIA.		TAPPED HOLE	NO. OF HOLES	BOLT CIRCLE DIA.	
		in	mm			in	mm
2"	JIS 10K	.75	19	M16 x 2.0-6H	4	4.72	120
3"	JIS 10K	.75	19	M16 x 2.0-6H	8	5.91	150
4"	JIS 10K	.75	19	M16 x 2.0-6H	8	6.89	175
6"	JIS 10K	.91	23	M20 x 2.5-6H	8	9.45	240
8"	JIS 10K	.91	23	M20 x 2.5-6H	12	11.42	290
10"	JIS 10K	.98	25	M22 x 2.5-6H	12	13.98	355
12"	JIS 10K	.98	25	M22 x 2.5-6H	16	15.75	400
14"	JIS 10K	.98	25	M22 x 2.5-6H	16	17.52	445

SIZE	FLANGE DRILLING	HOLE DIA.		TAPPED HOLE	NO. OF HOLES	BOLT CIRCLE DIA.	
		in	mm			in	mm
2"	PN 10	.71	18	M16 x 2.0-6H	4	4.92	125
3"	PN 10	.71	18	M16 x 2.0-6H	8	6.30	160
4"	PN 10	.71	18	M16 x 2.0-6H	8	7.09	180
6"	PN 10	.87	22	M20 x 2.5-6H	8	9.45	240
8"	PN 10	.87	22	M20 x 2.5-6H	8	11.61	295
10"	PN 10	.87	22	M20 x 2.5-6H	12	13.78	350
12"	PN 10	.87	22	M20 x 2.5-6H	12	15.75	400
14"	PN 10	.87	22	M20 x 2.5-6H	16	18.11	460

SIZE	FLANGE DRILLING	HOLE DIA.		TAPPED HOLE	NO. OF HOLES	BOLT CIRCLE DIA.	
		in	mm			in	mm
2"	PN 16	.71	18	M16 x 2.0-6H	4	4.92	125
3"	PN 16	.71	18	M16 x 2.0-6H	8	6.30	160
4"	PN 16	.71	18	M16 x 2.0-6H	8	7.09	180
6"	PN 16	.87	22	M20 x 2.5-6H	8	9.45	240
8"	PN 16	.87	22	M20 x 2.5-6H	12	11.61	295
10"	PN 16	1.02	26	M24 x 3.0-6H	12	13.98	355
12"	PN 16	1.02	26	M24 x 3.0-6H	12	16.14	410
14"	PN 16	1.02	26	M24 x 3.0-6H	16	18.50	470

THIS DRAWING EMBODIES A CONFIDENTIAL PROPRIETARY DESIGN ORIGINATED BY GROTH CORPORATION, AND ALL DESIGN, MANUFACTURING, REPRODUCTION, USE AND SALE RIGHTS, REGARDING THE SAME ARE EXPRESSLY RESERVED. IT IS SUBMITTED UNDER A CONFIDENTIAL RELATIONSHIP FOR A SPECIFIED PURPOSE, AND THE RECIPIENT AGREES BY ACCEPTING THIS DRAWING NOT TO SUPPLY OR DISCLOSE ANY INFORMATION REGARDING IT TO ANY UNAUTHORIZED PERSONS OR TO INCORPORATE IN OTHER PROJECTS ANY SPECIAL FEATURES PECULIAR TO THIS DESIGN. ALL PATENTS RIGHTS HERETO ARE EXPRESSLY RESERVED BY GROTH CORPORATION, 1202 HAHLO, HOUSTON, TEXAS 77020

REV.	DATE	BY	ECN NO.
A	08-22-01	ESQ	10276



GROTH CORPORATION
a Continental Disc Company

APPROVED BY:	CHECKED BY:	DWG. NO. : C-92526
DATE:	DATE:	DWN BY: ESQUINTERO

MODEL 1300A

BILL OF MATERIAL

ITEM	DESCRIPTION	STANDARD MATERIALS OF CONSTRUCTION			OPTIONAL FEATURES
		ALUMINUM <input type="checkbox"/>	CARBON STL <input type="checkbox"/>	316 SS <input type="checkbox"/>	
1	BODY	AL (GR 356 T6)	CS (WCB)	CF-8M (316 SS)	<input type="checkbox"/>
2	BOLT, HEX	SS	SS	SS	<input type="checkbox"/>
3	NUT, HEX	SS	SS	SS	<input type="checkbox"/>
4	* GASKET, COVER	NON-ASB	NON-ASB	NON-ASB	<input type="checkbox"/>
5	COVER, PRESSURE	ALUM	CS	316 SS	<input type="checkbox"/>
6	STUD	SS	SS	SS	<input type="checkbox"/>
7	NUT, HEX	SS	SS	SS	<input type="checkbox"/>
8	COVER, VACUUM	AL (GR 356 T6)	CS (WCB)	CF-8M (316 SS)	<input type="checkbox"/>
9	STEM, VACUUM	316 SS	316 SS	316 SS	<input type="checkbox"/>
10	* GASKET, COVER	NON-ASB	NON-ASB	NON-ASB	<input type="checkbox"/>
11	ROD, GUIDE	316 SS	316 SS	316 SS	<input type="checkbox"/>
12	PALLET, VACUUM	316 SS	316 SS	316 SS	<input type="checkbox"/>
13	* DIAPHRAGM, VACUUM (1)	Teflon® FEP	Teflon® FEP	Teflon® FEP	<input type="checkbox"/>
14	PLATE, RETAINER (VACUUM)	316 SS	316 SS	316 SS	<input type="checkbox"/>
15	SCREEN (OPTIONAL)	316 SS	316 SS	316 SS	<input type="checkbox"/>
16	WASHER, LOCK	SS	SS	SS	<input type="checkbox"/>
17	NUT, HEX	SS	SS	SS	<input type="checkbox"/>
18	* O-RING (PLATE PALLET) (2)	VITON	VITON	VITON	<input type="checkbox"/>
19	INSERT, SEAT (3) (NOT SHOWN)	OPTIONAL	316 SS	NOT USED	<input type="checkbox"/>
20	PALLET WEIGHT (4) (NOT SHOWN)	LEAD	LEAD	LEAD	<input type="checkbox"/>

* SPARE PARTS

- (1) Teflon® is a registered trademark of E.I. du Pont de Nemours and Co. used under license.
- (2) ELASTOMERS ALSO AVAILABLE IN AFLAS, BUNA-N, EPR & KALREZ
- (3) STANDARD - C.S. UNITS (WELDED); OPTIONAL - ALUM UNITS (BONDED)
- (4) AVAILABLE IN 316 SS; CONSULT FACTORY FOR ALT. MATERIALS.

DWG. NUMBER:
BOM NUMBER:

C-92717
92717BOM.XLS

REV. A



a Continental Disc Company