

- NOTES:**
- 1.) SEE DWG C-92526 FOR ANSI, PN10/PN16 & JIS10K DRILLING PATTERNS.
 - 2.) DIMENSIONS IN INCHES [MM].

SIZE	"A"		"B"		"C"	
	IN	MM	IN	MM	IN	MM
8"	24.63	626	34.75	883	31.63	803

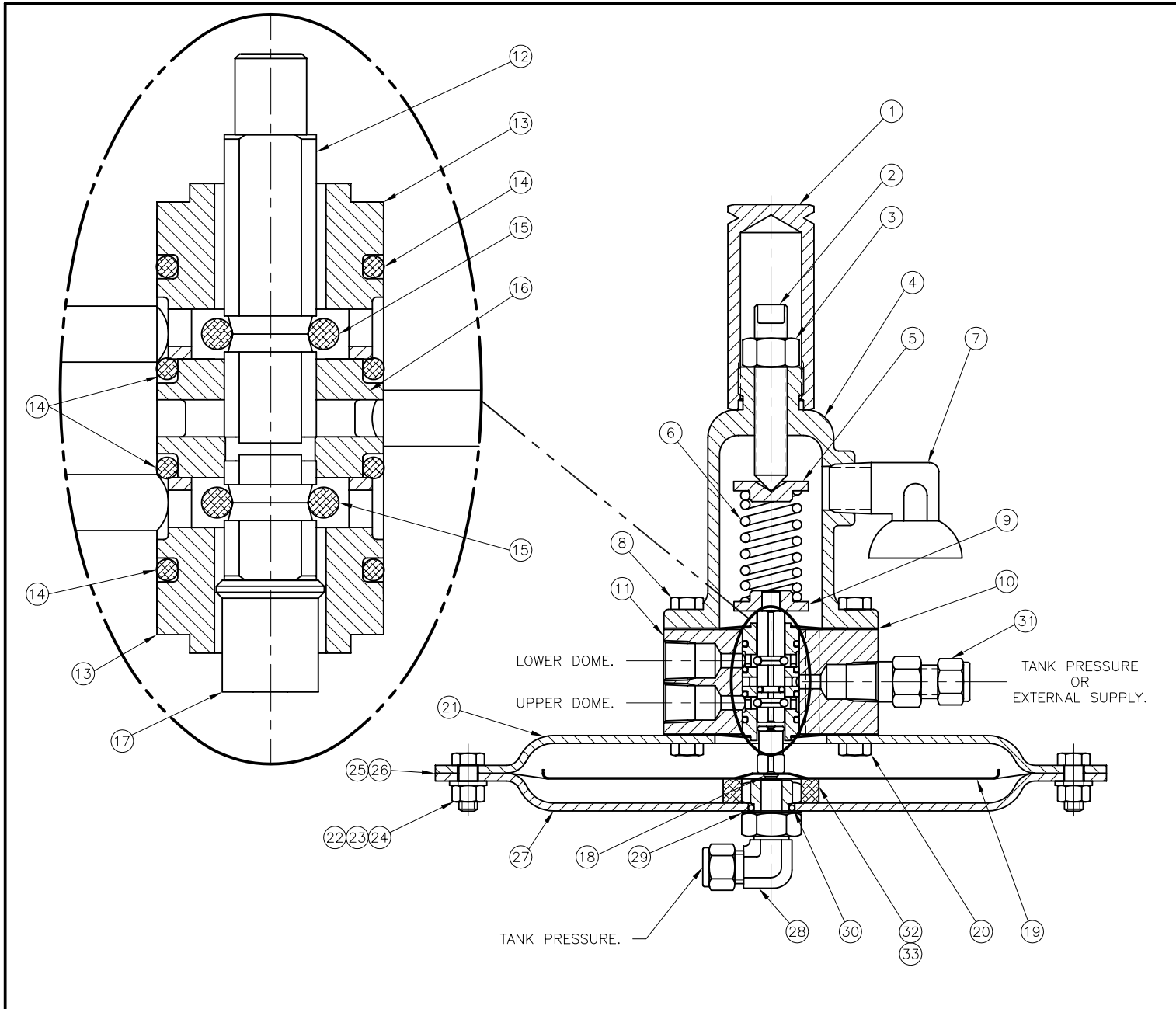
TAGS AND SPECIFICATIONS

THIS DRAWING EMBODIES A CONFIDENTIAL PROPRIETARY DESIGN ORIGINATED BY GROTH CORPORATION, AND ALL DESIGN, MANUFACTURING, REPRODUCTION, USE AND SALE RIGHTS, REGARDING THE SAME ARE EXPRESSLY RESERVED. IT IS SUBMITTED UNDER A CONFIDENTIAL RELATIONSHIP FOR A SPECIFIC PURPOSE, AND THE RECIPIENT AGREES BY ACCEPTING THIS DRAWING NOT TO SUPPLY OR DISCLOSE ANY INFORMATION REGARDING IT TO ANY UNAUTHORIZED PERSONS OR TO INCORPORATE IN OTHER PROJECTS, ANY SPECIAL FEATURES PECULIAR TO THIS DESIGN. ALL PATENTS RIGHTS HERETO ARE EXPRESSLY RESERVED BY GROTH CORPORATION, 13650 N. PROMENADE, STAFFORD, TX. 77477

REV.	ECN#	APPR.	DATE


GROTH CORPORATION
 a Continental Disc Company
 13650 N. Promenade Blvd.
 Stafford, Texas
 77477

TITLE MODEL 1400 POV W/1402 LOW SET PILOT			
C	DRAWING NO. 93152	SCALE NTS	SHEET 1 OF 1
PREPARED BY	J.E. LUJAN	04/03/03	D
CHECKED BY			A
APPROVED BY			E



TAGS AND SPECIFICATIONS

THIS DRAWING EMBODIES A CONFIDENTIAL PROPRIETARY DESIGN ORIGINATED BY GROTH CORPORATION, AND ALL DESIGN, MANUFACTURING, REPRODUCTION, USE AND SALE RIGHTS, REGARDING THE SAME ARE EXPRESSLY RESERVED. IT IS SUBMITTED UNDER A CONFIDENTIAL RELATIONSHIP FOR A SPECIFIC PURPOSE, AND THE RECIPIENT AGREES BY ACCEPTING THIS DRAWING NOT TO SUPPLY OR DISCLOSE ANY INFORMATION REGARDING IT TO ANY UNAUTHORIZED PERSONS OR TO INCORPORATE IN OTHER PROJECTS, ANY SPECIAL FEATURES PECULIAR TO THIS DESIGN. ALL PATENTS RIGHTS HERETO ARE EXPRESSLY RESERVED BY GROTH CORPORATION, 13650 N. PROMENADE, STAFFORD, TX. 77477

B	10851	GS	08/25/05	
A	10833	CFS	05/13/05	
REV.	ECN#	APPR.	DATE	


GROTH CORPORATION[®]
 a Continental Disc Company
 13650 N. Promenade Blvd.
 Stafford, Texas
 77477

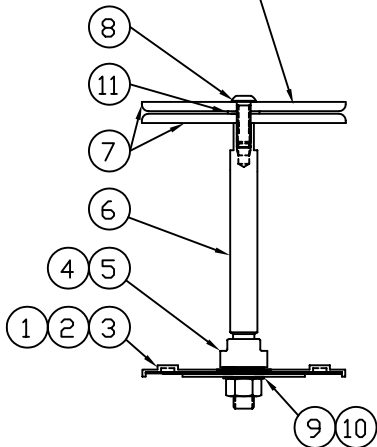
TITLE
MODEL 1402 PILOT VALVE.

C	DRAWING NO.	SCALE	SHEET
	91729	NTS	1 OF 1
	PREPARED BY	JASON LUJAN	11/11/99
CHECKED BY	CHUCK SPRAGUE	11/11/99	DATE
APPROVED BY	-	-	

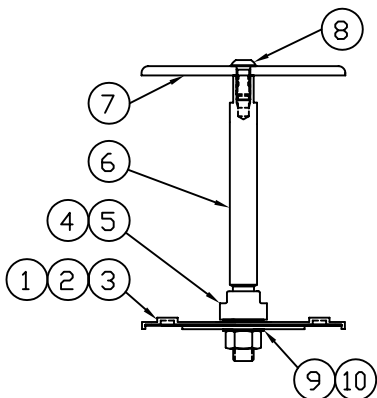
SECOND SUPPORT PLATE
AND TEFLON WASHER
SIT ON TOP OF ACT.
DIAPHRAGM.

DESCRIPTION

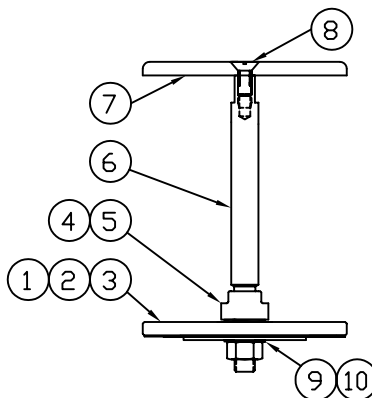
MODEL 1400/1500 SRS PILOT OPERATED VALVE
(PRESSURE/VACUUM)
PALLET ASSEMBLY-CONFIGURATION DETAILS



1402
(MICROSET FUNCTION)



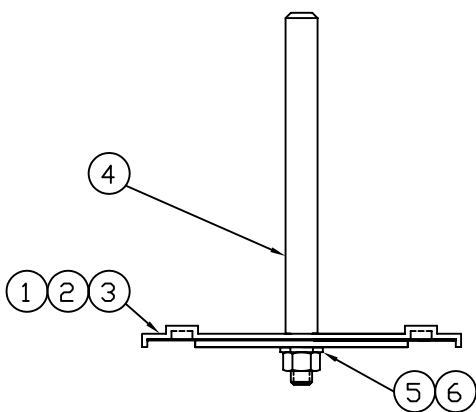
LOW SETTING
DETAIL



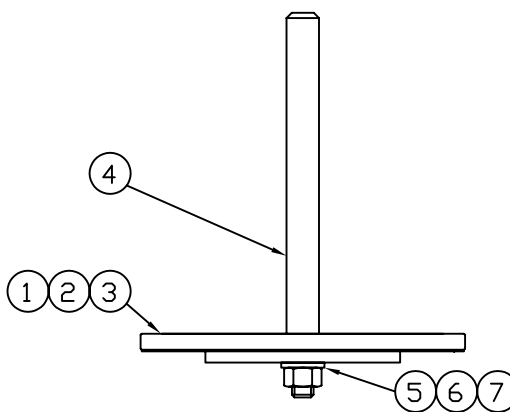
HIGH SETTING
DETAIL

MODEL	
_1400	_1500
_1420	_1520
_1430	_1530
_1460	_1560
PALLET ASSY	
_HIGH	_LOW

NOTE: PRESSURE SIDE PALLET ASSEMBLY.



LOW SETTING
DETAIL



HIGH SETTING
DETAIL

MODEL	
_1400	_1500
_1420	_1520
PALLET ASSY	
_HIGH	_LOW

NOTE: VACUUM SIDE PALLET ASSEMBLY.

TAGS AND SPECIFICATIONS

THIS DRAWING EMBODIES A CONFIDENTIAL PROPRIETARY DESIGN ORIGINATED BY GROTH CORPORATION, AND ALL DESIGN, MANUFACTURING, REPRODUCTION, USE AND SALE RIGHTS, REGARDING THE SAME ARE EXPRESSLY RESERVED. IT IS SUBMITTED UNDER A CONFIDENTIAL RELATIONSHIP FOR A SPECIFIED PURPOSE, AND THE RECIPIENT AGREES BY ACCEPTING THIS DRAWING NOT TO SUPPLY OR DISCLOSE ANY INFORMATION REGARDING IT TO ANY UNAUTHORIZED PERSONS OR TO INCORPORATE IN OTHER PROJECTS ANY SPECIAL FEATURES PECULIAR TO THIS DESIGN. ALL PATENTS RIGHTS HERETO ARE EXPRESSLY RESERVED BY GROTH CORPORATION, 1202 HAHLD, HOUSTON, TEXAS 77020

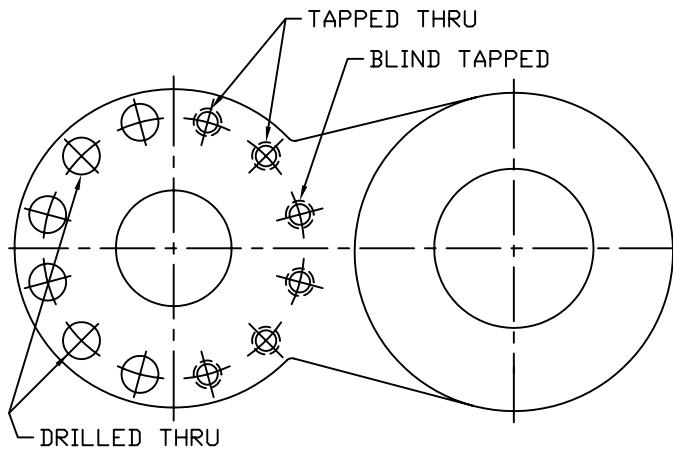
A	12-27-99	JEL	99097
B	08/10/01	MP	10266



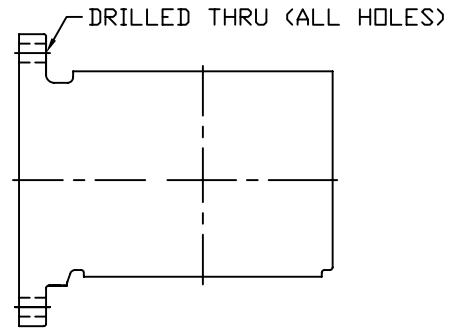
GROTH CORPORATION
HOUSTON, TEXAS

CERTIFIED: DWG. NO. : C-92144
DATE: DWN BY: GS

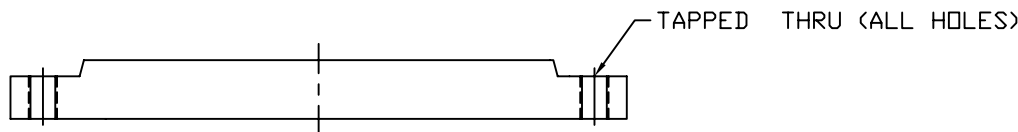
1200A SERIES
FLANGE DRILLING DIMENSION TABLES
(ANSI 150#, DIN PN10/16, JIS 10K)



INLET FLANGE
(VIEWED FROM BOTTOM)
MODELS: 1200A, 1220A, 1300A
1201B, 1221B, 1301A



OUTLET FLANGE
MODELS: 1220A, 1260A, 1360A
1221B, 1261A, 1361A



BODY
MODELS: 2300A & 2301A

DRILLED HOLES

SIZE	FLANGE DRILLING	HOLE DIA.		TAPPED HOLE	NO. OF HOLES	BOLT CIRCLE DIA.	
		in	mm			in	mm
2"	ANSI 150#	.75	19	5/8-11 UNC-2B	4	4.75	121
3"	ANSI 150#	.75	19	5/8-11 UNC-2B	4	6.00	152
4"	ANSI 150#	.75	19	5/8-11 UNC-2B	8	7.50	191
6"	ANSI 150#	.88	22	3/4-10 UNC-2B	8	9.50	241
8"	ANSI 150#	.88	22	3/4-10 UNC-2B	8	11.75	298
10"	ANSI 150#	1.00	25	7/8-9 UNC-2B	12	14.25	362
12"	ANSI 150#	1.00	25	7/8-9 UNC-2B	12	17.00	432
14"	ANSI 150#	1.13	29	1 -12 UNC-2B	12	18.75	476

SIZE	FLANGE DRILLING	HOLE DIA.		TAPPED HOLE	NO. OF HOLES	BOLT CIRCLE DIA.	
		in	mm			in	mm
2"	JIS 10K	.75	19	M16 x 2.0-6H	4	4.72	120
3"	JIS 10K	.75	19	M16 x 2.0-6H	8	5.91	150
4"	JIS 10K	.75	19	M16 x 2.0-6H	8	6.89	175
6"	JIS 10K	.91	23	M20 x 2.5-6H	8	9.45	240
8"	JIS 10K	.91	23	M20 x 2.5-6H	12	11.42	290
10"	JIS 10K	.98	25	M22 x 2.5-6H	12	13.98	355
12"	JIS 10K	.98	25	M22 x 2.5-6H	16	15.75	400
14"	JIS 10K	.98	25	M22 x 2.5-6H	16	17.52	445

SIZE	FLANGE DRILLING	HOLE DIA.		TAPPED HOLE	NO. OF HOLES	BOLT CIRCLE DIA.	
		in	mm			in	mm
2"	PN 10	.71	18	M16 x 2.0-6H	4	4.92	125
3"	PN 10	.71	18	M16 x 2.0-6H	8	6.30	160
4"	PN 10	.71	18	M16 x 2.0-6H	8	7.09	180
6"	PN 10	.87	22	M20 x 2.5-6H	8	9.45	240
8"	PN 10	.87	22	M20 x 2.5-6H	8	11.61	295
10"	PN 10	.87	22	M20 x 2.5-6H	12	13.78	350
12"	PN 10	.87	22	M20 x 2.5-6H	12	15.75	400
14"	PN 10	.87	22	M20 x 2.5-6H	16	18.11	460

SIZE	FLANGE DRILLING	HOLE DIA.		TAPPED HOLE	NO. OF HOLES	BOLT CIRCLE DIA.	
		in	mm			in	mm
2"	PN 16	.71	18	M16 x 2.0-6H	4	4.92	125
3"	PN 16	.71	18	M16 x 2.0-6H	8	6.30	160
4"	PN 16	.71	18	M16 x 2.0-6H	8	7.09	180
6"	PN 16	.87	22	M20 x 2.5-6H	8	9.45	240
8"	PN 16	.87	22	M20 x 2.5-6H	12	11.61	295
10"	PN 16	1.02	26	M24 x 3.0-6H	12	13.98	355
12"	PN 16	1.02	26	M24 x 3.0-6H	12	16.14	410
14"	PN 16	1.02	26	M24 x 3.0-6H	16	18.50	470

THIS DRAWING EMBODIES A CONFIDENTIAL PROPRIETARY DESIGN ORIGINATED BY GROTH CORPORATION, AND ALL DESIGN, MANUFACTURING, REPRODUCTION, USE AND SALE RIGHTS, REGARDING THE SAME ARE EXPRESSLY RESERVED. IT IS SUBMITTED UNDER A CONFIDENTIAL RELATIONSHIP FOR A SPECIFIED PURPOSE, AND THE RECIPIENT AGREES BY ACCEPTING THIS DRAWING NOT TO SUPPLY OR DISCLOSE ANY INFORMATION REGARDING IT TO ANY UNAUTHORIZED PERSONS OR TO INCORPORATE IN OTHER PROJECTS ANY SPECIAL FEATURES PECULIAR TO THIS DESIGN. ALL PATENTS RIGHTS HERETO ARE EXPRESSLY RESERVED BY GROTH CORPORATION, 1202 HAHLO, HOUSTON, TEXAS 77020

REV.	DATE	BY	ECN NO.
A	08-22-01	ESQ	10276



GROTH CORPORATION
a Continental Disc Company

APPROVED BY:	CHECKED BY:	DWG. NO. : C-92526
DATE:	DATE:	DWN BY: ES QUINTERO

**MODEL 1400 POV
w/1402 LOW-SET PILOT**

**GROTH CORPORATION
STAFFORD, TX- USA
BILL OF MATERIAL**

ITEM	DESCRIPTION	STANDARD MATERIALS OF CONSTRUCTION			OPTIONAL FEATURES
		ALUMINUM <input type="checkbox"/>	CARBON STL <input type="checkbox"/>	316 SS <input type="checkbox"/>	
1	BODY	AL (356 T6)	CS (WCB)	316 SS (CF-8M)	<input type="checkbox"/>
2	WEATHERHOOD POST	316 SS	316 SS	316 SS	<input type="checkbox"/>
3	HEX NUT	316 SS	316 SS	316 SS	<input type="checkbox"/>
4	LOCK WASHER	316 SS	316 SS	316 SS	<input type="checkbox"/>
5	WEATHERHOOD	ALUM	CS	316 SS	<input type="checkbox"/>
6	SCREEN	316 SS	316 SS	316 SS	<input type="checkbox"/>
7	HEX NUT	316 SS	316 SS	316 SS	<input type="checkbox"/>
8	LOCK WASHER	316 SS	316 SS	316 SS	<input type="checkbox"/>
9	LOWER ACTUATOR HOUSING	316 SS	316 SS	316 SS	<input type="checkbox"/>
10	* GASKET-ACTUATOR	FEP	FEP	FEP	<input type="checkbox"/>
11	* DIAPHRAGM-ACTUATOR	PFA	PFA	PFA	<input type="checkbox"/>
12	LIFTING EYE	316 SS	316 SS	316 SS	<input type="checkbox"/>
13	HEX BOLT	316 SS	316 SS	316 SS	<input type="checkbox"/>
14	FLAT WASHER	316 SS	316 SS	316 SS	<input type="checkbox"/>
15	LOCK WASHER	316 SS	316 SS	316 SS	<input type="checkbox"/>
16	HEX NUT	316 SS	316 SS	316 SS	<input type="checkbox"/>
17	TUBING	316 SS	316 SS	316 SS	<input type="checkbox"/>
18	UNION	316 SS	316 SS	316 SS	<input type="checkbox"/>
19	MALE CONNECTOR	316 SS	316 SS	316 SS	<input type="checkbox"/>
20	UPPER ACTUATOR HOUSING	316 SS	316 SS	316 SS	<input type="checkbox"/>
21	MALE CONNECTOR	316 SS	316 SS	316 SS	<input type="checkbox"/>
22	BRACKET, SUPPORT	316 SS	316 SS	316 SS	<input type="checkbox"/>
23	MALE CONNECTOR	316 SS	316 SS	316 SS	<input type="checkbox"/>
24	SET SCREW	316 SS	316 SS	316 SS	<input type="checkbox"/>
25	HEX JAM NUT	316 SS	316 SS	316 SS	<input type="checkbox"/>
26	WASHER-STEM GUIDE	316 SS	316 SS	316 SS	<input type="checkbox"/>
27	STEM GUIDE	316 SS	316 SS	316 SS	<input type="checkbox"/>
28	* BUSHING-STEM GUIDE	PTFE	PTFE	PTFE	<input type="checkbox"/>
29	* O-RING- STEM GUIDE (2)	FKM	FKM	FKM	<input type="checkbox"/>
30	COVER-VACUUM	AL (356 T6)	CS (WCB)	316 SS (CF-8M)	<input type="checkbox"/>
31	STUD	316 SS	316 SS	316 SS	<input type="checkbox"/>
32	HEX NUT	316 SS	316 SS	316 SS	<input type="checkbox"/>
33	* GASKET- COVER	PTFE	PTFE	PTFE	<input type="checkbox"/>
34	GUIDE ROD	316 SS	316 SS	316 SS	<input type="checkbox"/>
35	SEAT RING - (NOT SHOWN) (1)	316 SS	316 SS	N/A	<input type="checkbox"/>

* SPARE PARTS

(1) STANDARD - BONDED ON ALUMINUM UNITS, WELDED ON CS UNITS.
(2) OPTIONAL - CUSTOMER SPECIFIED.

DWG. NUMBER:
BOM NUMBER:

C-93152
93152bom.xls

REV. A
REV. A



a Continental Disc Company