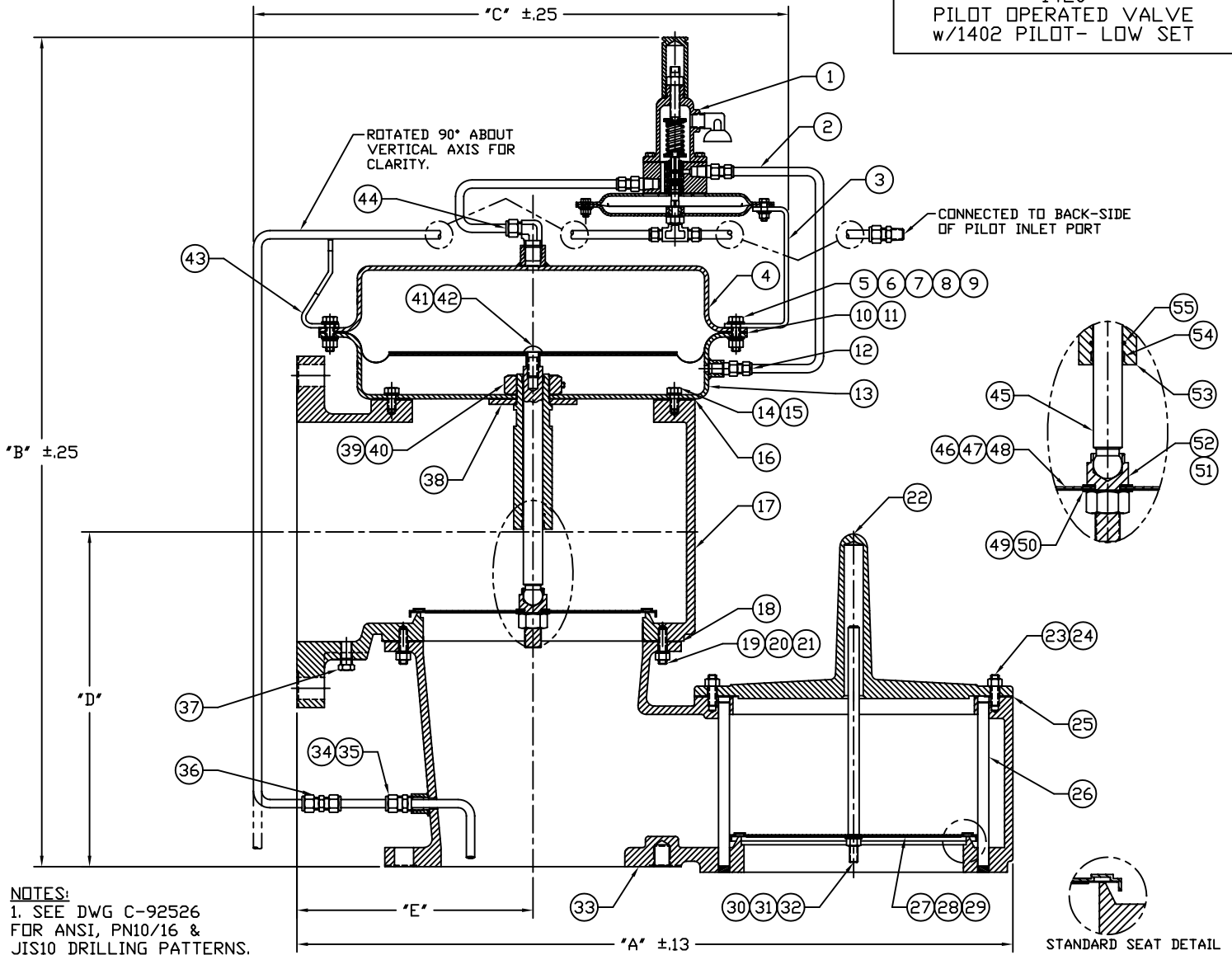


1420  
PILOT OPERATED VALVE  
w/1402 PILOT- LOW SET



NOTES:  
1. SEE DWG C-92526  
FOR ANSI, PN10/16 &  
JIS10 DRILLING PATTERNS.

| SIZE      | A     |      | B     |     | C     |     | D     |     | E     |     |
|-----------|-------|------|-------|-----|-------|-----|-------|-----|-------|-----|
|           | in    | mm   | in    | mm  | in    | mm  | in    | mm  | in    | mm  |
| 2" x 3"   | 14.50 | 368  |       |     |       |     | 7.00  | 178 | 5.50  | 140 |
| 3" x 4"   | 18.00 | 457  |       |     |       |     | 8.13  | 206 | 6.00  | 152 |
| 4" x 6"   | 19.25 | 489  |       |     |       |     | 9.50  | 241 | 6.50  | 165 |
| 6" x 8"   | 26.50 | 673  | 33.63 | 854 | 20.25 | 514 | 12.75 | 324 | 8.50  | 216 |
| 8" x 10"  | 32.63 | 829  | 37.88 | 962 | 24.38 | 619 | 15.25 | 387 | 10.75 | 273 |
| 10" x 12" | 37.75 | 959  |       |     |       |     | 18.00 | 457 | 12.50 | 317 |
| 12" x 14" | 42.75 | 1086 |       |     |       |     | 20.63 | 524 | 15.00 | 381 |

TAGS AND SPECIFICATIONS

THIS DRAWING EMBODIES A CONFIDENTIAL PROPRIETARY DESIGN ORIGINATED BY GROTH CORPORATION, AND ALL DESIGN, MANUFACTURING, REPRODUCTION, USE AND SALE RIGHTS, REGARDING THE SAME ARE EXPRESSLY RESERVED. IT IS SUBMITTED UNDER A CONFIDENTIAL RELATIONSHIP FOR A SPECIFIED PURPOSE, AND THE RECIPIENT AGREES BY ACCEPTING THIS DRAWING NOT TO SUPPLY OR DISCLOSE ANY INFORMATION REGARDING IT TO ANY UNAUTHORIZED PERSONS OR TO INCORPORATE IN OTHER PROJECTS ANY SPECIAL FEATURES PECULIAR TO THIS DESIGN. ALL PATENTS RIGHTS HERETO ARE EXPRESSLY RESERVED BY GROTH CORPORATION, 1202 HAHLO, HOUSTON, TEXAS 77020

| REV. | DATE     | BY  | ECN NO. |
|------|----------|-----|---------|
| A    | 11/08/01 | JEL | 10311   |
|      |          |     |         |
|      |          |     |         |
|      |          |     |         |
|      |          |     |         |
|      |          |     |         |



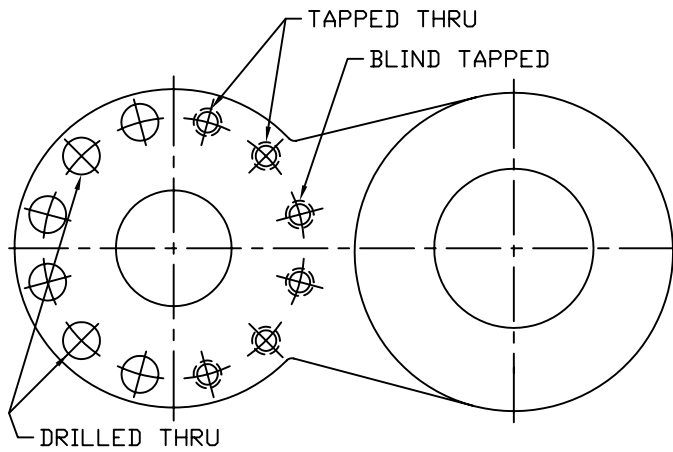
GROTH CORPORATION  
a Continental Disc Company

APPROVED BY:  
DATE:

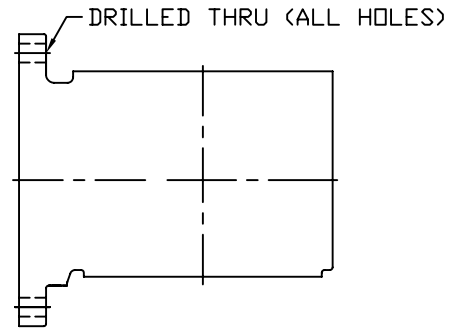
CHECKED BY:  
DATE:

DWG. NO.: C-92290  
DWN BY: J.E. LUJAN

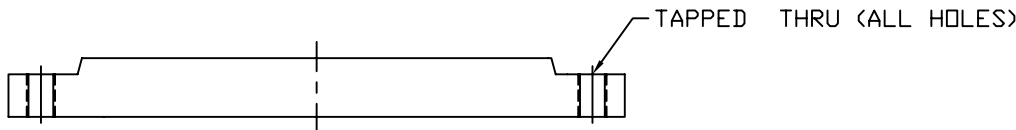
1200A SERIES  
FLANGE DRILLING DIMENSION TABLES  
(ANSI 150#, DIN PN10/16, JIS 10K)



INLET FLANGE  
(VIEWED FROM BOTTOM)  
MODELS: 1200A, 1220A, 1300A  
1201B, 1221B, 1301A



OUTLET FLANGE  
MODELS: 1220A, 1260A, 1360A  
1221B, 1261A, 1361A



BODY  
MODELS: 2300A & 2301A

DRILLED HOLES

| SIZE | FLANGE DRILLING | HOLE DIA. |    | TAPPED HOLE   | NO. OF HOLES | BOLT CIRCLE DIA. |     |
|------|-----------------|-----------|----|---------------|--------------|------------------|-----|
|      |                 | in        | mm |               |              | in               | mm  |
| 2"   | ANSI 150#       | .75       | 19 | 5/8-11 UNC-2B | 4            | 4.75             | 121 |
| 3"   | ANSI 150#       | .75       | 19 | 5/8-11 UNC-2B | 4            | 6.00             | 152 |
| 4"   | ANSI 150#       | .75       | 19 | 5/8-11 UNC-2B | 8            | 7.50             | 191 |
| 6"   | ANSI 150#       | .88       | 22 | 3/4-10 UNC-2B | 8            | 9.50             | 241 |
| 8"   | ANSI 150#       | .88       | 22 | 3/4-10 UNC-2B | 8            | 11.75            | 298 |
| 10"  | ANSI 150#       | 1.00      | 25 | 7/8-9 UNC-2B  | 12           | 14.25            | 362 |
| 12"  | ANSI 150#       | 1.00      | 25 | 7/8-9 UNC-2B  | 12           | 17.00            | 432 |
| 14"  | ANSI 150#       | 1.13      | 29 | 1 -12 UNC-2B  | 12           | 18.75            | 476 |

| SIZE | FLANGE DRILLING | HOLE DIA. |    | TAPPED HOLE  | NO. OF HOLES | BOLT CIRCLE DIA. |     |
|------|-----------------|-----------|----|--------------|--------------|------------------|-----|
|      |                 | in        | mm |              |              | in               | mm  |
| 2"   | JIS 10K         | .75       | 19 | M16 x 2.0-6H | 4            | 4.72             | 120 |
| 3"   | JIS 10K         | .75       | 19 | M16 x 2.0-6H | 8            | 5.91             | 150 |
| 4"   | JIS 10K         | .75       | 19 | M16 x 2.0-6H | 8            | 6.89             | 175 |
| 6"   | JIS 10K         | .91       | 23 | M20 x 2.5-6H | 8            | 9.45             | 240 |
| 8"   | JIS 10K         | .91       | 23 | M20 x 2.5-6H | 12           | 11.42            | 290 |
| 10"  | JIS 10K         | .98       | 25 | M22 x 2.5-6H | 12           | 13.98            | 355 |
| 12"  | JIS 10K         | .98       | 25 | M22 x 2.5-6H | 16           | 15.75            | 400 |
| 14"  | JIS 10K         | .98       | 25 | M22 x 2.5-6H | 16           | 17.52            | 445 |

| SIZE | FLANGE DRILLING | HOLE DIA. |    | TAPPED HOLE  | NO. OF HOLES | BOLT CIRCLE DIA. |     |
|------|-----------------|-----------|----|--------------|--------------|------------------|-----|
|      |                 | in        | mm |              |              | in               | mm  |
| 2"   | PN 10           | .71       | 18 | M16 x 2.0-6H | 4            | 4.92             | 125 |
| 3"   | PN 10           | .71       | 18 | M16 x 2.0-6H | 8            | 6.30             | 160 |
| 4"   | PN 10           | .71       | 18 | M16 x 2.0-6H | 8            | 7.09             | 180 |
| 6"   | PN 10           | .87       | 22 | M20 x 2.5-6H | 8            | 9.45             | 240 |
| 8"   | PN 10           | .87       | 22 | M20 x 2.5-6H | 8            | 11.61            | 295 |
| 10"  | PN 10           | .87       | 22 | M20 x 2.5-6H | 12           | 13.78            | 350 |
| 12"  | PN 10           | .87       | 22 | M20 x 2.5-6H | 12           | 15.75            | 400 |
| 14"  | PN 10           | .87       | 22 | M20 x 2.5-6H | 16           | 18.11            | 460 |

| SIZE | FLANGE DRILLING | HOLE DIA. |    | TAPPED HOLE  | NO. OF HOLES | BOLT CIRCLE DIA. |     |
|------|-----------------|-----------|----|--------------|--------------|------------------|-----|
|      |                 | in        | mm |              |              | in               | mm  |
| 2"   | PN 16           | .71       | 18 | M16 x 2.0-6H | 4            | 4.92             | 125 |
| 3"   | PN 16           | .71       | 18 | M16 x 2.0-6H | 8            | 6.30             | 160 |
| 4"   | PN 16           | .71       | 18 | M16 x 2.0-6H | 8            | 7.09             | 180 |
| 6"   | PN 16           | .87       | 22 | M20 x 2.5-6H | 8            | 9.45             | 240 |
| 8"   | PN 16           | .87       | 22 | M20 x 2.5-6H | 12           | 11.61            | 295 |
| 10"  | PN 16           | 1.02      | 26 | M24 x 3.0-6H | 12           | 13.98            | 355 |
| 12"  | PN 16           | 1.02      | 26 | M24 x 3.0-6H | 12           | 16.14            | 410 |
| 14"  | PN 16           | 1.02      | 26 | M24 x 3.0-6H | 16           | 18.50            | 470 |

THIS DRAWING EMBODIES A CONFIDENTIAL PROPRIETARY DESIGN ORIGINATED BY GROTH CORPORATION, AND ALL DESIGN, MANUFACTURING, REPRODUCTION, USE AND SALE RIGHTS, REGARDING THE SAME ARE EXPRESSLY RESERVED. IT IS SUBMITTED UNDER A CONFIDENTIAL RELATIONSHIP FOR A SPECIFIED PURPOSE, AND THE RECIPIENT AGREES BY ACCEPTING THIS DRAWING NOT TO SUPPLY OR DISCLOSE ANY INFORMATION REGARDING IT TO ANY UNAUTHORIZED PERSONS OR TO INCORPORATE IN OTHER PROJECTS ANY SPECIAL FEATURES PECULIAR TO THIS DESIGN. ALL PATENTS RIGHTS HERETO ARE EXPRESSLY RESERVED BY GROTH CORPORATION, 1202 HAHLO, HOUSTON, TEXAS 77020

| REV. | DATE     | BY  | ECN NO. |
|------|----------|-----|---------|
| A    | 08-22-01 | ESQ | 10276   |
|      |          |     |         |
|      |          |     |         |
|      |          |     |         |
|      |          |     |         |
|      |          |     |         |
|      |          |     |         |



GROTH CORPORATION  
a Continental Disc Company

|              |             |                     |
|--------------|-------------|---------------------|
| APPROVED BY: | CHECKED BY: | DWG. NO. : C-92526  |
| DATE:        | DATE:       | DWN BY: ES QUINTERO |

| ITEM | DESCRIPTION                  | STANDARD MATERIALS OF CONSTRUCTION |                 |                | OPTIONAL FEATURES |
|------|------------------------------|------------------------------------|-----------------|----------------|-------------------|
|      |                              | ALUMINUM<br>□                      | CARBON STL<br>□ | 316 SS<br>□    |                   |
| 1    | PILOT, 1402                  | DWG C-91729                        | DWG C-91729     | DWG C-91729    |                   |
| 2    | TUBING, 3/8" OD x .035" WALL | 316 SS                             | 316 SS          | 316 SS         |                   |
| 3    | BRACKET, SUPPORT             | 316 SS                             | 316 SS          | 316 SS         |                   |
| 4    | HOUSING, ACTUATOR- UPPER     | 316 SS                             | 316 SS          | 316 SS         |                   |
| 5    | BOLT, HEX                    | 316 SS                             | 316 SS          | 316 SS         |                   |
| 6    | BOLT, HEX                    | 316 SS                             | 316 SS          | 316 SS         |                   |
| 7    | WASHER, FLAT                 | 316 SS                             | 316 SS          | 316 SS         |                   |
| 8    | WASHER, LOCK                 | 316 SS                             | 316 SS          | 316 SS         |                   |
| 9    | NUT, HEX                     | 316 SS                             | 316 SS          | 316 SS         |                   |
| 10   | * DIAPHRAGM, ACTUATOR        | PFA                                | PFA             | PFA            |                   |
| 11   | * GASKET, ACTUATOR           | FEP                                | FEP             | FEP            |                   |
| 12   | FITTING, MALE CONNECTOR      | 316 SS                             | 316 SS          | 316 SS         |                   |
| 13   | HOUSING, ACTUATOR- LOWER     | 316 SS                             | 316 SS          | 316 SS         |                   |
| 14   | BOLT, HEX                    | 316 SS                             | 316 SS          | 316 SS         |                   |
| 15   | WASHER, LOCK                 | 316 SS                             | 316 SS          | 316 SS         |                   |
| 16   | * GASKET                     | FEP                                | FEP             | FEP            |                   |
| 17   | OUTLET                       | AL (356 T6)                        | CS (WCB)        | 316 SS (CF-8M) |                   |
| 18   | * GASKET                     | FEP                                | FEP             | FEP            |                   |
| 19   | STUD                         | 316 SS                             | 316 SS          | 316 SS         |                   |
| 20   | NUT, HEX                     | 316 SS                             | 316 SS          | 316 SS         |                   |
| 21   | WASHER, LOCK                 | 316 SS                             | 316 SS          | 316 SS         |                   |
| 22   | COVER, VACUUM                | Al (356 T6)                        | CS (WCB)        | 316 SS (CF-8M) |                   |
| 23   | STUD                         | 316 SS                             | 316 SS          | 316 SS         |                   |
| 24   | NUT, HEX                     | 316 SS                             | 316 SS          | 316 SS         |                   |
| 25   | * GASKET                     | FEP                                | FEP             | FEP            |                   |
| 26   | ROD, GUIDE                   | 316 SS                             | 316 SS          | 316 SS         |                   |
| 27   | PALLET, VACUUM               | 316 SS                             | 316 SS          | 316 SS         |                   |
| 28   | * DIAPHRAGM, VACUUM          | FEP                                | FEP             | FEP            |                   |
| 29   | PLATE, RETAINER (VACUUM)     | 316 SS                             | 316 SS          | 316 SS         |                   |
| 30   | STEM, VACUUM                 | 316 SS                             | 316 SS          | 316 SS         |                   |
| 31   | WASHER, LOCK                 | 316 SS                             | 316 SS          | 316 SS         |                   |
| 32   | NUT, HEX                     | 316 SS                             | 316 SS          | 316 SS         |                   |
| 33   | BODY                         | AL (356 T6)                        | CS (WCB)        | 316 SS (CF-8M) |                   |
| 34   | FITTING, MALE CONNECTOR      | 316 SS                             | 316 SS          | 316 SS         |                   |
| 35   | TUBING, 3/8" OD x .035" WALL | 316 SS                             | 316 SS          | 316 SS         |                   |
| 36   | FITTING, UNION CONNECTOR     | 316 SS                             | 316 SS          | 316 SS         |                   |
| 37   | PLUG, PIPE                   | 316 SS                             | 316 SS          | 316 SS         |                   |
| 38   | WASHER, STEM GUIDE           | 316 SS                             | 316 SS          | 316 SS         |                   |
| 39   | NUT, HEX JAM                 | 316 SS                             | 316 SS          | 316 SS         |                   |
| 40   | SCREW, SET                   | 316 SS                             | 316 SS          | 316 SS         |                   |
| 41   | CAP SCREW, BUTTON HEAD       | 316 SS                             | 316 SS          | 316 SS         |                   |
| 42   | PLATE, SUPPORT               | 316 SS                             | 316 SS          | 316 SS         |                   |
| 43   | LUG, LIFTING                 | 316 SS                             | 316 SS          | 316 SS         |                   |
| 44   | FITTING, MALE CONNECTOR      | 316 SS                             | 316 SS          | 316 SS         |                   |
| 45   | STEM, PRESSURE               | 316 SS                             | 316 SS          | 316 SS         |                   |
| 46   | PALLET, PRESSURE             | 316 SS                             | 316 SS          | 316 SS         |                   |
| 47   | * DIAPHRAGM, PRESSURE        | FEP                                | FEP             | FEP            |                   |
| 48   | PLATE, RETAINER (PRESSURE)   | 316 SS                             | 316 SS          | 316 SS         |                   |
| 49   | WASHER, BELLVILLE            | 316 SS                             | 316 SS          | 316 SS         |                   |
| 50   | NUT, HEX                     | 316 SS                             | 316 SS          | 316 SS         |                   |
| 51   | FITTING, SWIVEL              | 316 SS                             | 316 SS          | 316 SS         |                   |
| 52   | * GASKET, SWIVEL FITTING     | PTFE                               | PTFE            | PTFE           |                   |
| 53   | GUIDE, STEM                  | 316 SS                             | 316 SS          | 316 SS         |                   |
| 54   | * BUSHING, STEM GUIDE        | PTFE                               | PTFE            | PTFE           |                   |
| 55   | * O-RING, STEM GUIDE (1)     | FKM                                | FKM             | FKM            |                   |
| 56   | INSERT, SEAT (2)             | 316 SS                             | 316 SS          | N/A            |                   |

\* SPARE PARTS

(1) OPTIONAL - CUSTOMER SPECIFIED.  
 (2) STANDARD - BONDED ON ALUMINUM UNITS, WELDED ON CS UNITS.

DWG. NUMBER: C-92290 Rev. B  
 BOM NUMBER: 92290bom.xls Rev. B  
 REF. DWG. NUMBER: C-92526



a Continental Disc Company

Prepared by:  
 Checked by:  
 Approved by:

Date:  
 Date:  
 Date: