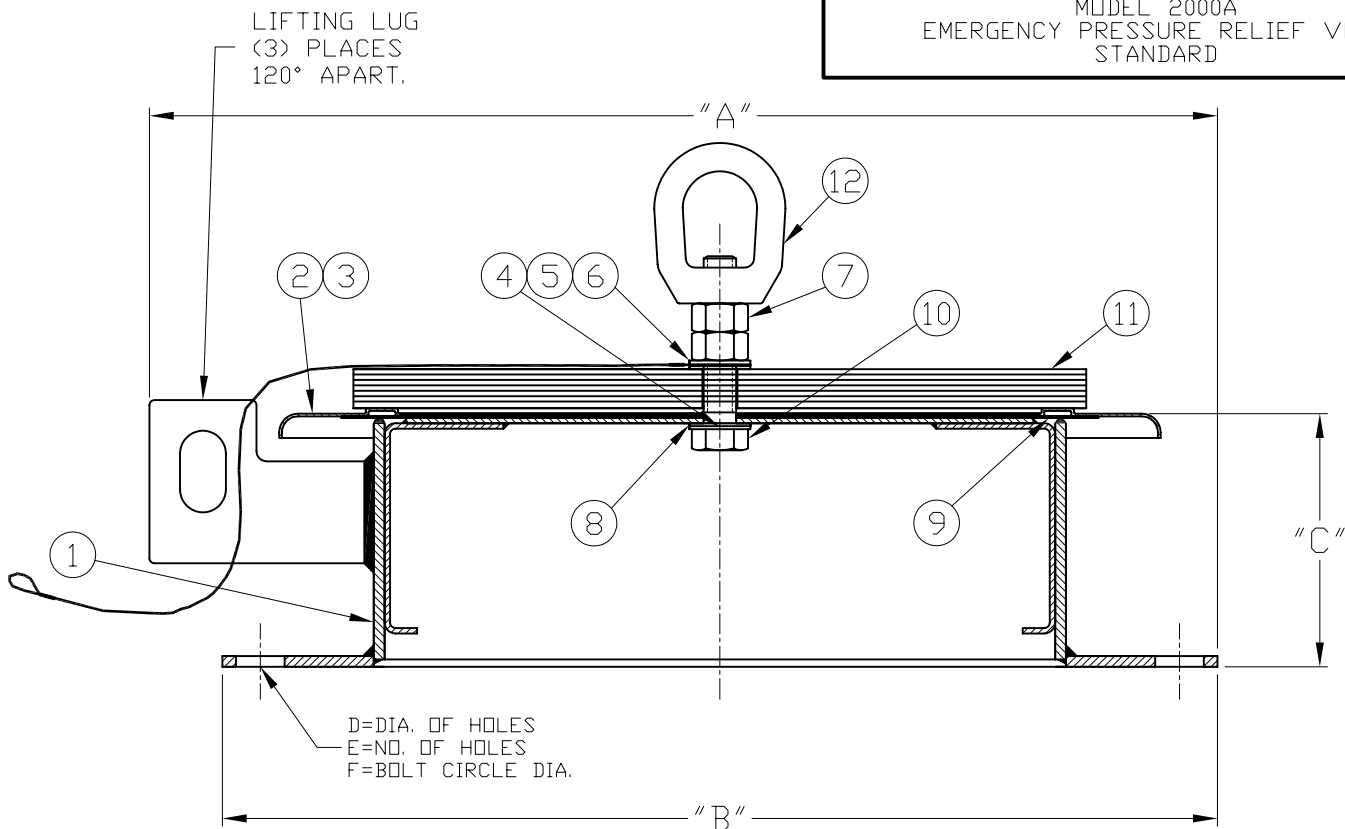


MODEL 2000A
EMERGENCY PRESSURE RELIEF VENT
STANDARD



SIZE	FLANGE DRILLING	A		B		C		D		E	F	
		In.	mm	In.	mm	In.	mm	In.	mm		In.	mm
16"	150 LB	25.25	641	23.50	597	6.13	156	1.13	29	16	21.25	540
20"	150 LB	29.25	743	27.50	699	6.13	156	1.25	32	20	25.00	635
	PN 10	29.25	743	27.50	699	6.13	156	1.02	26	20	24.41	620
	650 API	28.50	724	26.00	660	6.13	156	.75	19	16	23.50	597
24"	150 LB	33.50	851	32.00	813	6.13	156	1.38	35	20	29.50	749
	PN 10	33.50	851	32.00	813	6.13	156	1.18	30	20	28.54	725
	650 API	32.50	826	30.00	762	6.13	156	.75	19	20	27.50	699

NOTE:

1. WEIGHT PLATE(S) STACK HEIGHT VARIES WITH SET PRESSURE.
2. "C" DIMENSION MINIMUM HEIGHT, HEIGHT VARIES WITH WEIGHT PLATE(S) STACK HEIGHT.

TAGS AND SPECIFICATIONS

THIS DRAWING EMBODIES A CONFIDENTIAL PROPRIETARY DESIGN ORIGINATED BY GROTH CORPORATION, AND ALL DESIGN, MANUFACTURING, REPRODUCTION, USE AND SALE RIGHTS, REGARDING THE SAME ARE EXPRESSLY RESERVED. IT IS SUBMITTED UNDER A CONFIDENTIAL RELATIONSHIP FOR A SPECIFIED PURPOSE, AND THE RECIPIENT AGREES BY ACCEPTING THIS DRAWING NOT TO SUPPLY OR DISCLOSE ANY INFORMATION REGARDING IT TO ANY UNAUTHORIZED PERSONS OR TO INCORPORATE IN OTHER PROJECTS ANY SPECIAL FEATURES PECULIAR TO THIS DESIGN. ALL PATENTS RIGHTS HERETO ARE EXPRESSLY RESERVED BY GROTH CORPORATION, 1202 HAHLD, HOUSTON, TEXAS 77020

REV.	DATE	BY	ECN NO.
A	08-22-01	MP	10276
B	10/30/04	GS	10783



GROTH CORPORATION
a Continental Disc Company

APPROVED BY: M.A.	CHECKED BY: G.S.	DWG. NO.: C-92085
DATE: 10-31-01	DATE: 10-31-01	DWN BY: GS

