

**valveIT Bronze Gate Valve (Threaded)**

**Features**

PN 20  
 BS 5154 Series B  
 Non - Rising Stem  
 Screwed in Bonnet  
 ISO 228 / 1 Threaded Ends

**Application**

HVAC System, Cold and Hot Water

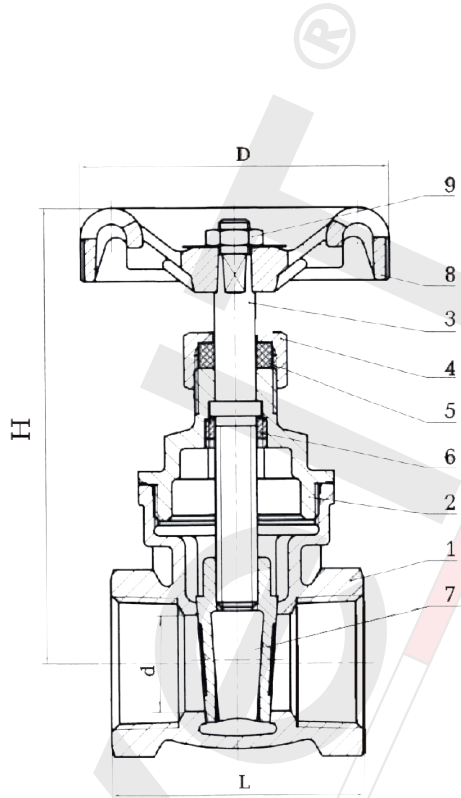
**Hydrostatic Test Pressure**

Body : 30 bar  
 Seat : 22 bar  
 Pressure Rating : PN20

Working Medium: Water, Oil, Steam  
 Working Temperature: t < 170 C

**Pressure / Temperature Rating**

7 bar at 170 deg C  
 20 bar from - 10 to 100 deg C



**Material Specification**

No	Component	Material
1	Body	Bronze CC491k
2	Bonnet	Bronze CC491k
3	Stem	DZR Brass CW602N
4	Packing Nut	Brass CW617N
5	Packing	P.T.F.E
6	Stem Bush	Dzr Brass CW602N
7	Disc	Bronze CC491k
8	Handwheel	Aluminium
9	Handwheel Nut	Brass CW614N

**Dimensions & Weights**

		Dimensions					
DN	INCH	d	L	H	D	Unit weight(kgs)	
15	1/2"	13	43	78	52	0.255	
20	3/4"	19	49	92	60	0.355	
25	1"	25	54	103	60	0.524	
32	1 1/4"	32	62	116	70	0.77	
40	1 1/2"	38	65	133	78	1.07	
50	2"	50	75	156	92	1.62	
65	2 1/2"	63	87	190	100	*	
80	3"	76	105	215	110	*	
100	4"	100	124	258	130	*	

\*PI Contact us.