

valveIT Brass Gate Valve

Features

- PN 16
- Non - Rising Stem
- Screwed in Bonnet
- BS 5154 PN16, Series B
- ISO 228 / 1 Threaded Ends
- Single Piece Wedge

Application

HVAC System, Cold and Hot Water

Hydrostatic Test Pressure

Body : 24 bar
Seat : 17.6 bar

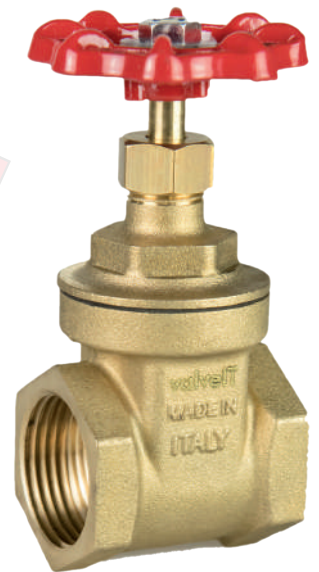
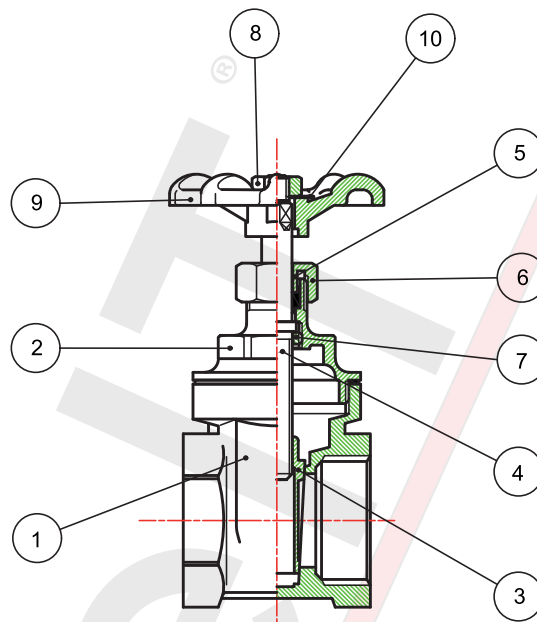
Pressure / Temperature Rating

7 bar at 170 deg C
16 bar from - 10 to 100 deg C

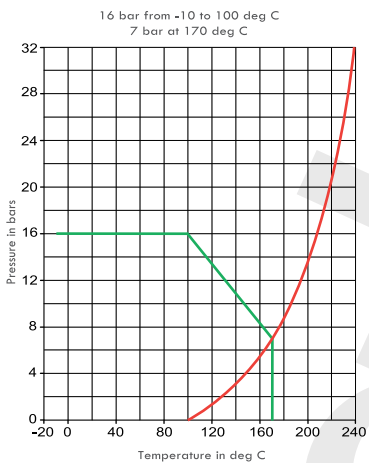
*On Request (Forward Delivery)

- Available with NPT Threads
- Available in MSS - SP - 80 Standard
- Available with Locking Device
- Available in other material grades

*Subject to minimum order quantity



Pressure Vs Temperature Graph



Material Specification

No	Component	Material
1	Body (1/4" to 2")	Brass: CW 617 N - UNI - EN12165
2	Bonnet	Brass: CW 617 N - UNI - EN12165
3	Wedge	Brass: DELTA C EN1982 CB 754S
4	Stem	Brass: CW 614 N - UNI - EN12164
5	Gland packing	Brass: CW 614 N - UNI - EN12164
6	Gland nut (1/4" to 1" 1/2)	Brass: CW 614 N - UNI - EN12164
	Gland nut (2")	Brass: CW 617 N - UNI - EN12165
7	Gasket	Fibre washer
8	Top handwheel nut	Zinc plated steel
9	Handwheel	Aluminium, with red plastic coating
10	Nameplate	Aluminum

Dimensions & Weights

Nominal size		Dimensions			Weight	Kv Value
D [inches]	L [mm]	H [mm]	M [mm]	Gr		
1/2"	38	68	45	172.00	11	
3/4"	44	76	50	240.00	29	
1"	48	90	55	368.00	43	
1"1/4"	52	108	60	538.00	81	
1"1/2"	58	126	70	694.00	125	
2"	62	146	80	1100.00	220	