

## valveIT Ductile Iron gate valve

### Features

- DN50 - DN300 : Ductile Iron Material
- PN 16
- Non - Rising Stem, Inside Screw
- Resilient Seat
- Epoxy Coated
- Bolted Bonnet, Raised Face Flanges
- high tightness (leakproofness class - A acc. EN - 12266 - 1)
- face of face dimensions: series 14 acc EN 558 - 1, F4 acc. to DIN 3202
- flange end connections: EN- 1092 - 2
- flanged to BS 4504 PN 16 (EN 1092) / DIN 2633 (EN 1092)

### Application

HVAC System, Cold and Hot Water

### Hydrostatic Test Pressure

- Body : 24 bar
- Seat : 17.6 bar

### Pressure / Temperature Rating

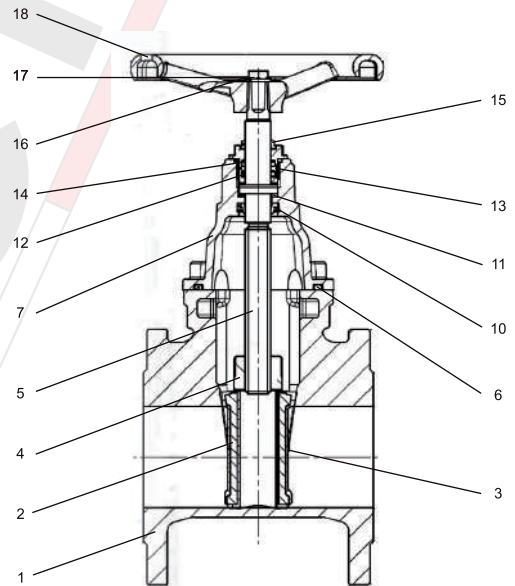
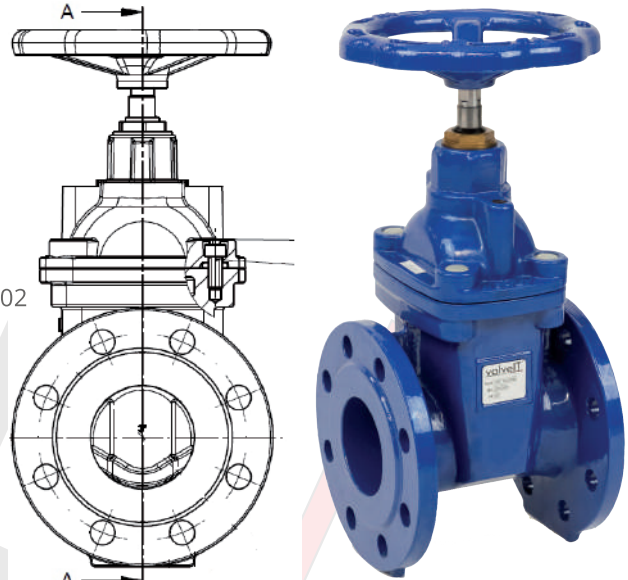
16 bar at 0-100deg c

### Coating

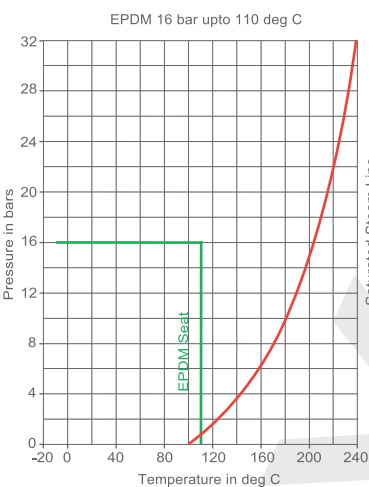
- Internal and External coated with Epoxy paint RAL 5002 (Blue)
- Coating Thickness (DFT) - 100 Microns

### \*On Request ( Forward Delivery)

- Available in MSS - SP - 70 (CL 125, CL 250)
- Available with Locking Device
- Available with other material, trim, other face to face dim
- \*Subject to minimum order quantity

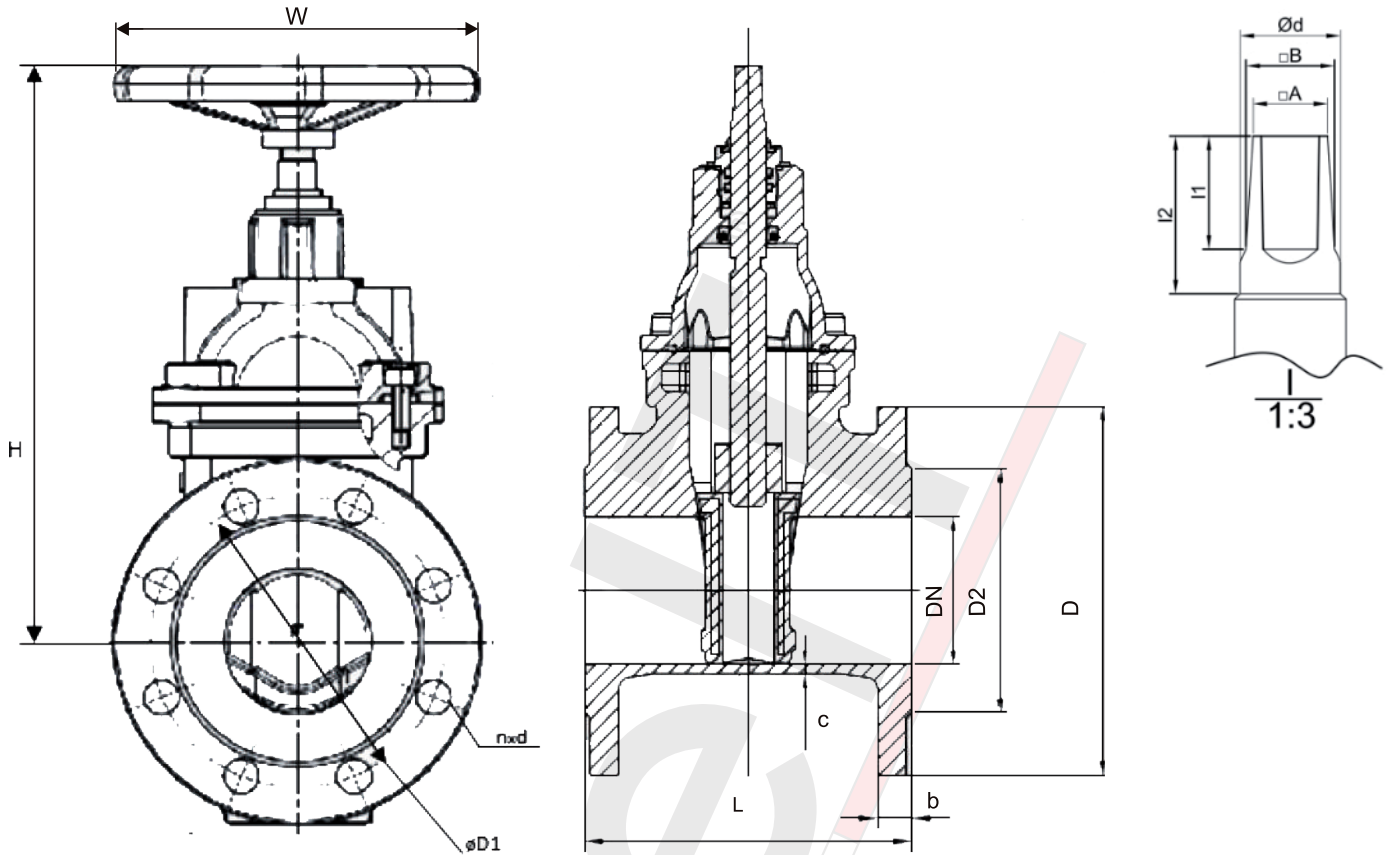


### Pressure Vs Temperature Graph



### Material Specification

No	Component	Material
1	Body	DI - EN - GJS-500 - 7 5.3200(ex.JS1050)
2	Wedge casting	EN - GJS - 500 - 7 5.3200(ex.JS1050)
3	Cover of wedge	EPDM
4	Threaded bush	CuZn36pb2As
5	Stem	X20Cr13
6	Cover seal	EPDM
7	Cover	EN - GJS - 500 - 7 5.3200 (ex.JS1050) 8.8
8	Bolt	C15, C15R, C15E
9	Screw cover cap	Plastic
10	Seal	EPDM
11	Washer	Nylon
12	O-ring	EPDM
13	Thrust bearing	CuZn36Pb2As
14	O-ring	EPDM
15	Seal	NBR / EPDM
16	Washer	C15,C15R, C15E
17	Nut	C15, C15R, C15E
18	Hand Wheel	EN - GJS - 500 - 7 5.3200 (ex.JS1050) 8.8



Dimensions & Weights

	H	L	D	D1	D2	b	n	d	w	c	□A	□B	ød	11	12	kg
50	240	150	165	125	99	19	4	19	160	5,0	12,8	13,8	17	20	28	9,0
65	250	170	185	145	118	19	4	19	160	5,0	12,8	13,8	17	20	28	11,8
80	312	180	200	160	132	19	8	19	200	5,0	14,5	15,6	18	22	27	14,2
100	335	190	220	180	156	19	8	19	250	6,0	17,0	19,5	24	25	32	18,6
125	385	200	250	210	184	19	8	19	250	6,0	17,2	19,7	24	25	32	26,6
150	438	210	285	240	211	19	8	23	320	7,0	18,7	21,7	24	30	40	36,2
200	543	230	340	295	266	20	12	23	320	7,5	20,0	22,0	24	30	40	58,4
250	645	250	405	355	319	22	12	28	320	9,0	20,0	22,0	26	30	40	85,4
300	728	270	460	410	370	24,5	12	28	360	10,0	20,0	22,0	26	30	40	132,0