

valveIT Check Valve

Features

- DN50 - DN300 : Cast Iron Material
- PN 16
- BS 5153 PN16 (EN 12334)
- Epoxy Coated
- Swing Type Check Valve
- Bronze Trim, Bolted Cover
- Raised Face Flanges
- Flanged to BS 4504 PN16 (EN 1092)
- DIN 2633 (EN 1092)
- Flanges Drilled to DIN 2501 (EN 1092)

Application

HVAC System, Cold and Hot Water

Hydrostatic Test Pressure

Body : 24 bar  
 Seat : 17.6 bar

Pressure / Temperature Rating

13 bar at 220 deg C  
 16 bar from - 10 to 120 deg C  
 Suitable for mounting in Horizontal and Vertical Pipe (with flow upwards)

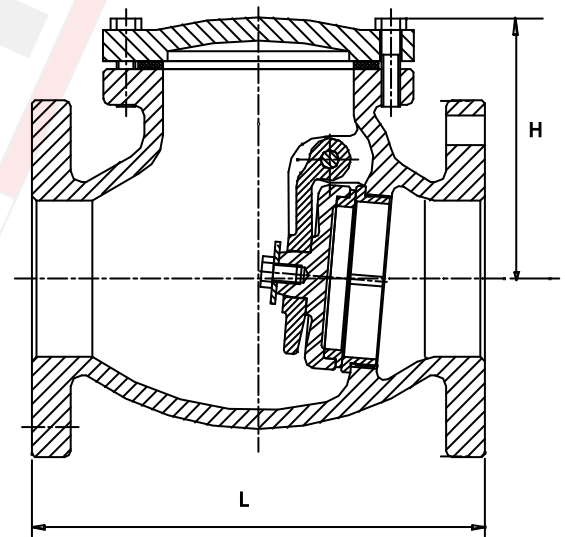
Coating

Internal and External coated with Epoxy Paint RAL 5002 (Blue)  
 Coating Thickness (DFT) = 100 Microns

\*On Request ( Forward Delivery )

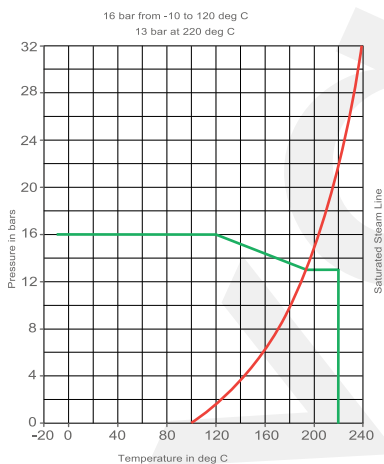
- Outside Lever and Weight, Dashpot arrangement
- a. with Bronze Trim
- b. with Rubber Disc Ring
- c. Higher Sizes

\*Subject to minimum order quantity



DN 50 - DN 300

Pressure Vs Temperature Graph



Material Specification

No	Component	Material	Spec
1	Body	Cast Iron	ENJL1040
2	Cover	Cast Iron	ENJL1040
3	Disc	Cast Iron	ENJL1040
4	Disc Seat Ring	Bronze	EN1982CC491K
5	Body Seat Ring	Bronze	EN1982CC491K
6	Hinge Pin	Stainless Steel	BS970 420S37
7	Gasket	Asbestos Free	-

Dimensions & Weights

Size	Dimensions								
	DN50	DN65	DN80	DN100	DN125	DN150	DN200	DN250	DN300
L	203	216	241	292	330	356	495	622	699
H	125	137	147	166	190	217	265	300	342
Weight (Kg)	11.5	16.5	21	28.5	42	55	104	168	244