

## valveIT Check Valve Dual Plate, Wafer Type

### Features

DN50 - DN300 : Cast Iron Material  
 PN 16  
 EPDM Seat Ring

### Application

HVAC System, Oil, Cold and Hot Water

### Hydrostatic Test Pressure

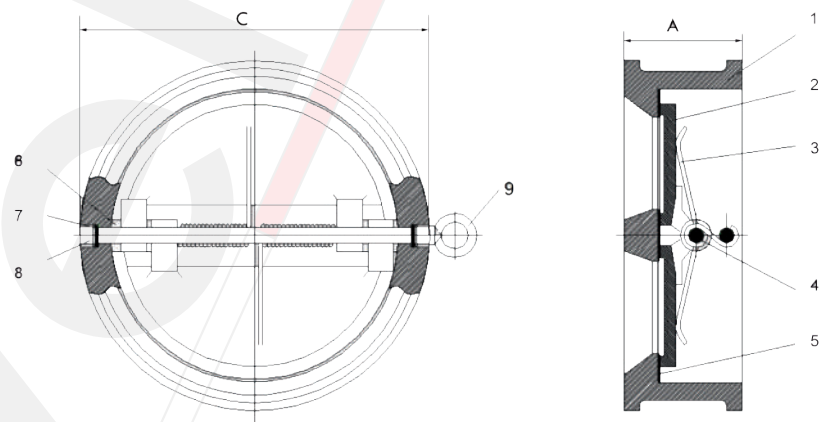
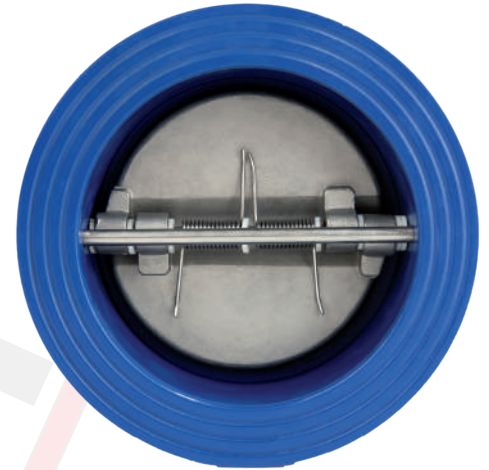
Body : 24 bar  
 Seat : 17.6 bar

### Pressure / Temperature Rating

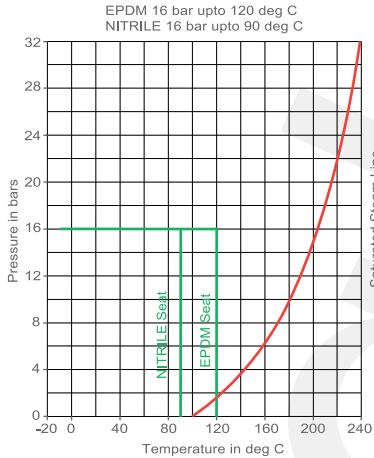
Nitrile Seating  
 16 bar upto 90 deg C  
 EPDM Seating  
 16 bar upto 120 deg C  
 Suitable for mounting in Horizontal and Vertical Pipe (with flow upward)  
 Suitable for mounting between DIN and BS PN 16 Flanges

### \*On Request ( Forward Delivery)

Available in other material grades  
 Higher Sizes  
 \*Subject to minimum order quantity



### Pressure Vs Temperature Graph



### Material Specification

No	Component	Material
1	Body	EN-GJL - 250, 5.1301 (ex.JL1040)
2	Plate	X5CrNi18 - 10
3	Spring	X5CrNi18 - 10
4	Pin	X5CrNi18 - 10
5	Seal	EPDM
6	Sleeve	teflon
7	Seal	EPDM
8	Screw	S235JR
9	Sling for DN 125 - DN 300	S235JR

### Dimensions & Weights

DN mm	D min pipe	A mm	C	Kv m3/h	$\Delta T$ kg
40	36	43	91	34	1,2
50	42	43	107	34	1,5
65	60	46	127	54	2,0
80	66	64	142	95	2,8
100	86	64	162	200	4,1
125	115	70	192	320	6,4
150	143	76	218	467	8,5
200	197	89	273	990	13,5
250	231	114	328	1584	22
300	281	114	378	2783	30