

valveIT gate valve

Features

- PN 20
- Rising Stem
- Union Bonnet
- BS 5154 PN20, Series B
- ISO 228 / 1 Threaded Ends
- Single Piece Wedge
- Extended Bonnet

Application

HVAC System, Cold and Hot Water

Hydrostatic Test Pressure

Body : 30 bar

Seat : 22 bar

Pressure / Temperature Rating

9 bar at 180 deg C

20 bar from - 10 to 100 deg C

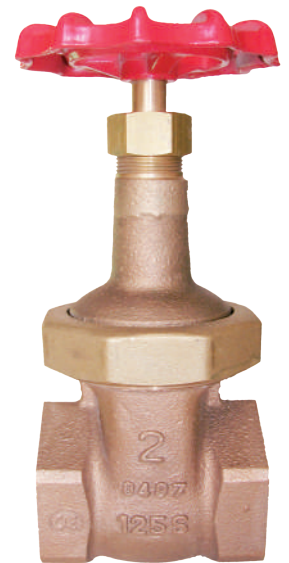
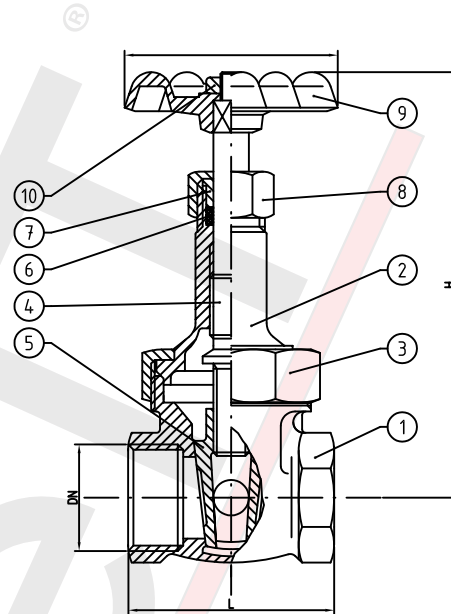
*On Request (Forward Delivery)

Available with NPT Threads

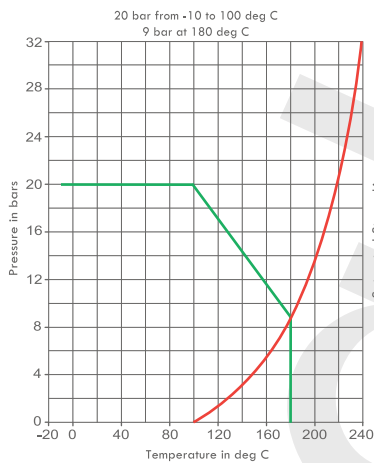
Available in MSS-SP - 80 Standard

Available with Locking Device

*Subject to minimum order quantity



Pressure Vs Temperature Graph



Material Specification

No	Component	Material
1	Body	Bronze - CC491K UNI EN1982
2	BONNET	Brass - CW617N UNI EN12165 at 3/8" to 2"
		Bronze - CC491K UNI EN1982 at 2"1/2 to 4"
3	Union Nut	Brass - CW617N UNI EN12165 at 3/8" to 3"
		Bronze - CC491K UNI EN1982 4"
4	Stem	Brass - CW614N UNI EN12164
5	Wedge	Brass - CW617N UNI EN12165 at 3/8" to 2"
		Bronze - CC491K UNI EN1982 at 2"1/2 to 4"
6	Packing	AF / 15 / MA (Patented)
7	Pack. Gland	Brass - CW614N UNI EN12164
8	Pack Nut	Brass - CW617N UNI EN12165
9	Handwheel	ALUMINIUM - GD12FE UNI EN1706
10	Wheel Nut	Steel - 65 UNI 5589

Dimensions & Weights

Size Mark	Dimensions										
	1/4"	3/8"	1/2"	3/4"	1"	1"1/4	1"1/2	2"	2"1/2	3"	4"
D mm	50	50	50	55	60	70	80	95	110	110	130
L mm	50	50	50	51	57	68	71	82	97	107	120
H mm	102	102	102	127	140	167	187	231	270	325	365
Weight kg	0.330	0.330	0.330	0.500	0.680	1.100	1.450	2.350	3.600	5.550	8.550