

valveIT Bronze Swing Check Valve

Features

PN 20
 BS 5154 PN 16, Series B
 Horizontal Swing Pattern
 Screwed in cover
 ISO 228 / 1 Threaded Ends
 Suitable for mounting in Horizontal and Vertical Pipe (with flow upwards)

Application

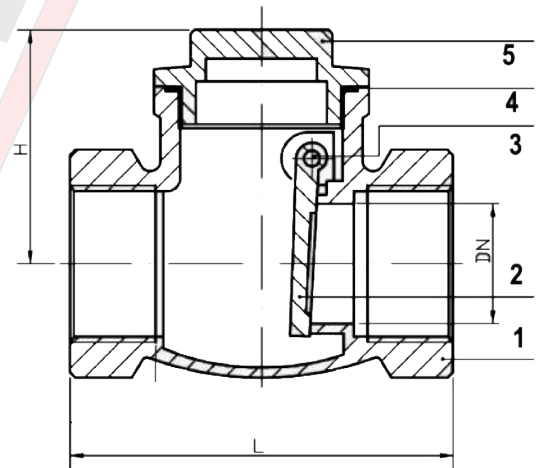
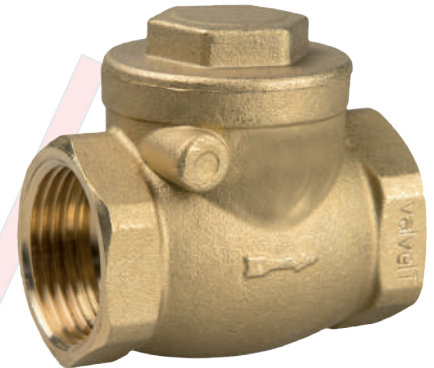
HVAC System, Cold and Hot Water
 Hydrostatic Test Pressure
 Body: 30 bar
 Seat : 22 bar

Pressure / Temperature Rating

7 bar at 170 deg C
 20 bar from - 10 to 100 deg C

*On Request (Forward Delivery)

Available with NPT Threads
 Available in MSS - SP - 80 Standard
 Available in other material grades
 *Subject to minimum order quantity



Material Specification

No	Component	Material
1	Body	Bronze - C83600 ASTM B62
2	Cap	Bronze - CW617N UNI EN12165
3	Pin	Brass - CW614N UNI EN12164
4	Disc	PTFE - CW617N UNI EN12165

Dimensions & Weights

Nominal Size D (inches)	Dimensions		Weight kg
	L (mm)	H (mm)	
1/2	52	38	0.223
3/4	66.5	45	0.365
1	71	48.5	0.495
1 1/4	90	58	0.726
1 1/2	87	62	0.832
2	110	67	1.380