

valveIT gate valve

Features

PN 25
 Non - Rising Stem
 Screwed in Bonnet
 BS 5154 PN25, Series B
 BSPP Screwed Female Ends
 Single Piece Wedge

Application

HVAC System, Cold and Hot Water

Hydrostatic Test Pressure

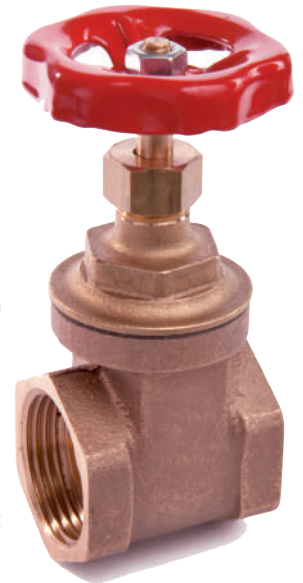
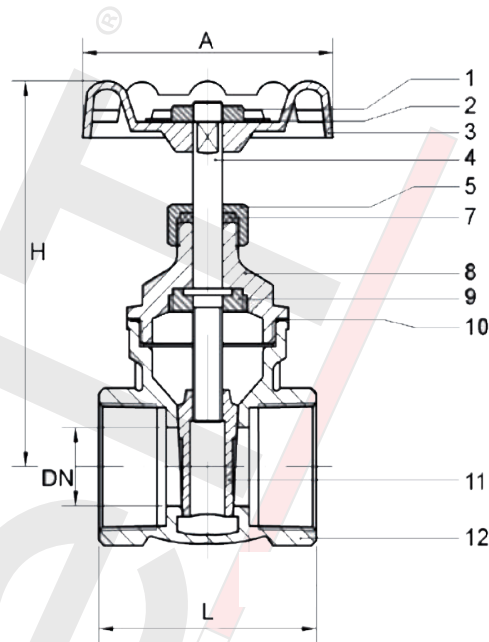
Body : 37.5 bar
 Seat : 27.5 bar

Pressure / Temperature Rating

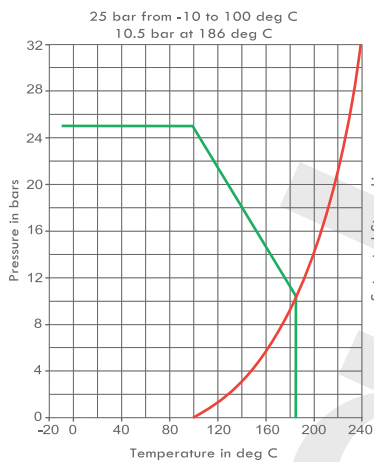
10.5 bar at 186 deg C
 25 bar from -10 to 100 deg C

*On Request (Forward Delivery)

Available with NPT Threads
 Available in MSS - SP - 80 Standard
 Available with Locking Device
 * Subject to minimum order quantity



Pressure Vs Temperature Graph



Material Specification

No	Component	Material	DIN
1	Body	Bronze	G - CuSn5ZnPb (Rg5)
2	Wedge Disc	Bronze	G - CuSn5ZnPb (Rg5)
3	Gasket	Teflon	PTFE
4	Lock Nut	Brass	CuZn39Pb3
5	Bonnet	Bronze	G - CuSn5ZnPb (Rg5)
6	Packing	PTFE	PTFE
7	Gland	Brass	CuZn39Pb3
8	Packing Nut	Brass	CuZn39Pb3
9	Stem	DZR Brass(HT)	-
10	Hand Wheel	Aluminium	-
11	Name Plate	Aluminium	-
12	Nut	Steel	-

Dimensions & Weights

Nominal Size		Dimensions			Weight	Kv Value
DN (Inches)	L (mm)	H (mm)	DN (mm)	A (mm)	Kg	m ² / h
1/2	46.5	75	13.5	55	0.300	36
3/4	51.5	88	19.5	63	0.435	45
1	57.5	100	25	63	0.638	82
1 1/4	64.5	112	32	70	1.000	115
1 1/2	68	130	38	80	1.235	196
2	77	150	48	90	1.890	285