

valveIT Ductile Iron gate valve

Features

DN50 - DN600 : Ductile Iron Material
 PN 16
 Non - Rising Stem, Inside Screw
 Resilient Seat
 Epoxy Coated
 Bolted Bonnet, Raised Face Flanges
 high tightness (leakproofness class - A acc. EN - 12266-1)
 Comply with BS 5163 (EN 1074)
 Face to face dim as per EN558 - 1 series 3
 flange end connections: EN-1092 - 2
 flanged to BS 4504 PN 16 (EN 1092) / DIN 2633 (EN 1092)

Application

HVAC System, Cold and Hot Water

Hydrostatic Test Pressure

Body : 24 bar
 Seat : 17.6 bar

Pressure / Temperature Rating

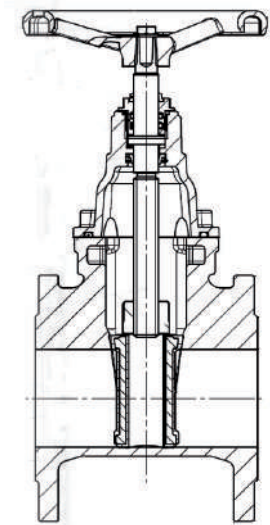
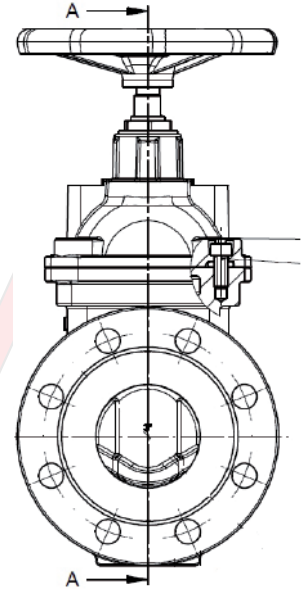
16 bar at 0 - 100deg c

Coating

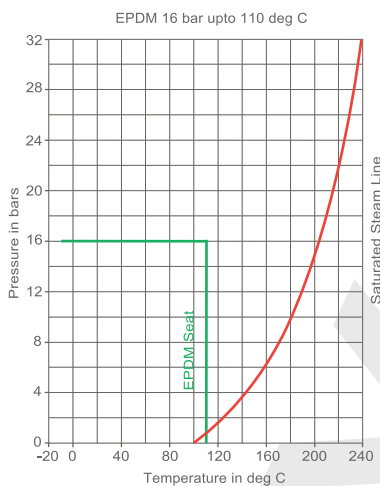
Internal and External coated with Epoxy paint RAL 5002 (Blue)
 Coating Thickness (DFT) - 200 Microns (min)

*On Request (Forward Delivery)

Available with stem cap
 Available with Locking Device
 Higher Sizes / PN 25 rated available
 *Subject to minimum order quantity

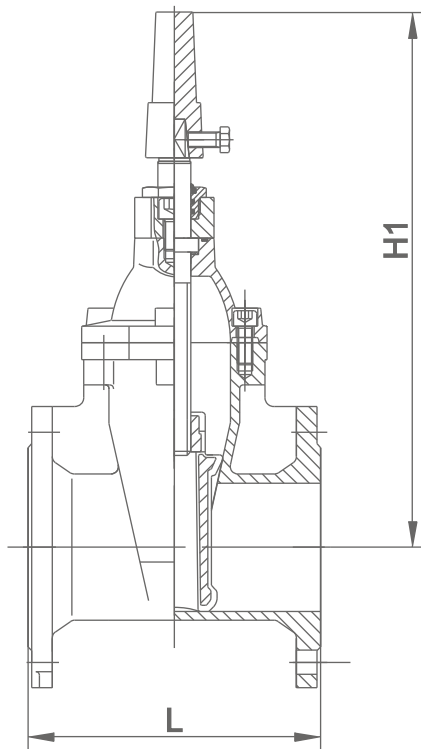


Pressure Vs Temperature Graph

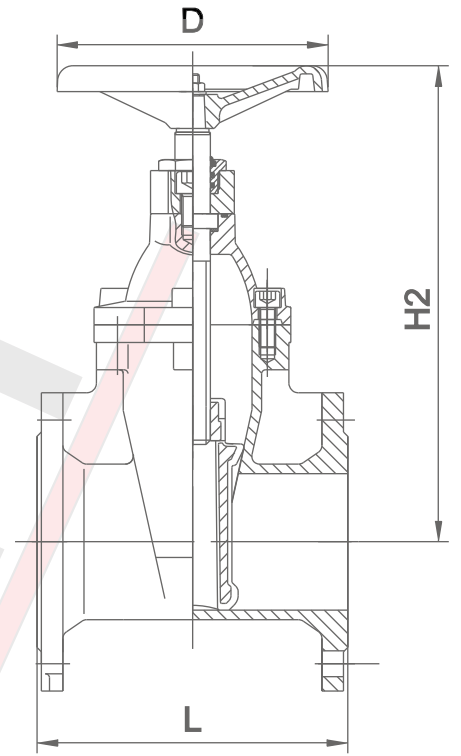


Material Specification

No	Component	Material	Spec
01	Body	Ductile Iron	ENJS1050
02	Bonnet	Ductile Iron	ENJS1050
03	Wedge	DI + EPDM	ENJS1050
04	Stem	Stainless Steel	SS 420
05	Gland Packing	Graphite	-
06	Bonnet Gasket	Graphite	-
07	Hand Wheel	Ductile Iron	ENJS1050



A



B

Dimensions & Weights

DN	mm inch	50 2	65 2-1/2	80 3	100 4	125 5	150 6	200 8	250 10	300 12	350 14	400 16	450 18	500 20	600 24
L		178	190	203	229	254	267	292	330	356	381	406	432	457	508
H2		254	296	349	396	477	548	694	840	960	842	931	1058	1146	1298
D		160	160	200	200	250	250	280	370	370	508	558	610	610	762

*Note: H1 Dimensions please consult us