

valveIT Check Valve Dual Plate, Wafer Type

Features

DN50 - DN300 : Ductile Iron Material
PN 25
EPDM Seat Ring
Suitable for mounting between DIN and BS
PN 25 Flanges

Application

HVAC System, Oil, Cold and Hot Water

Hydrostatic Test Pressure

Body : 37.5 bar

Seat : 27.5 bar

Pressure / Temperature Rating

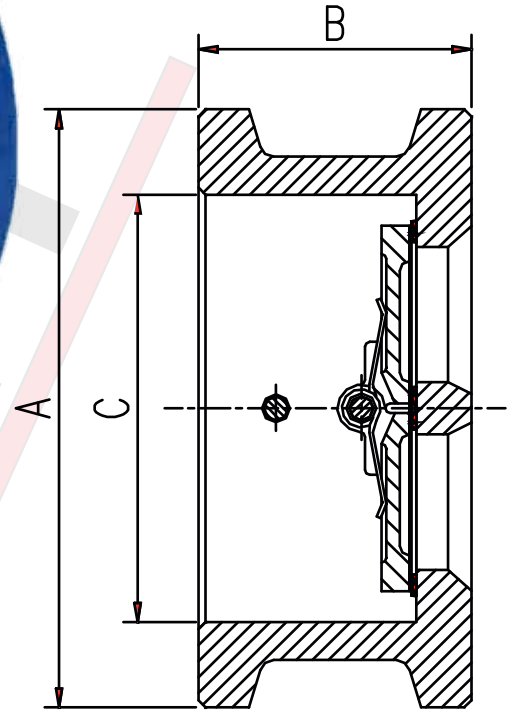
EPDM Seating

25 bar upto 120 deg C

Suitable for mounting in Horizontal
and Vertical Pipe (with flow upward)

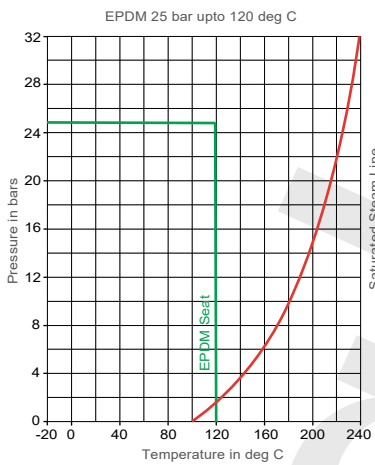


Fig . VIT-25-WDC



DN 50 - DN 300

Pressure Vs Temperature Graph



Material Specification

No	Component	Material
1	Body	Ductile Iron
2	Disc	Stainless Steel
3	Stem	Stainless Steel
4	Seat	EPDM
5	Spring	Stainless Steel
6	Washer	PTFE

Dimensions & Weights

Nominal Size DN (mm)	Dimensions		
	A (mm)	B (mm)	C (mm)
* 50	106	54	66
* 65	126	54	78
* 80	141	57	90
* 100	167	64	115
* 125	191	70	141
* 150	222	76	170
* 200	282	95	210
* 250	339	108	273
* 300	399	143	324